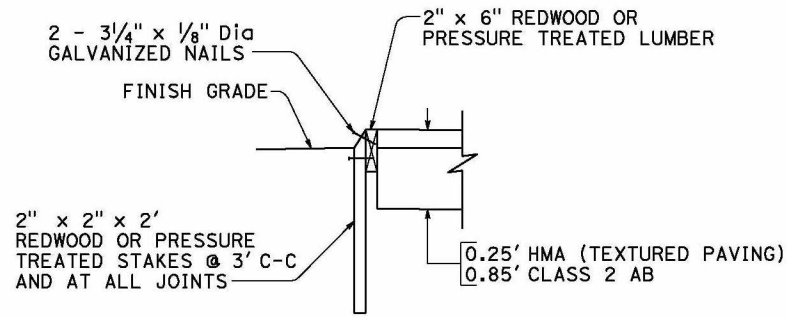


Dist	COUNTY	ROUTE	POST MILES TOTAL PROJECT	SHEET No.	TOTAL SHEETS
03	Pla	65	R11.9/R24.1		

REGISTERED CIVIL ENGINEER DATE _____

PLANS APPROVAL DATE _____

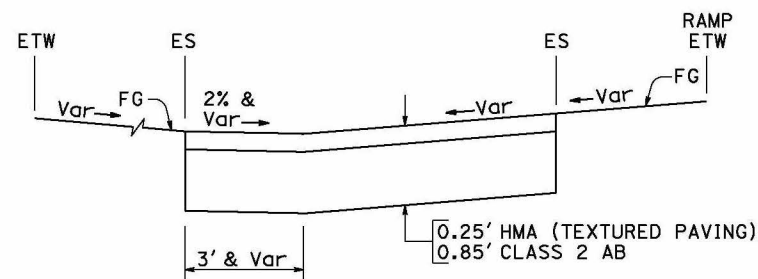
THE STATE OF CALIFORNIA OR ITS OFFICERS OR AGENTS SHALL NOT BE RESPONSIBLE FOR THE ACCURACY OR COMPLETENESS OF SCANNED COPIES OF THIS PLAN SHEET.



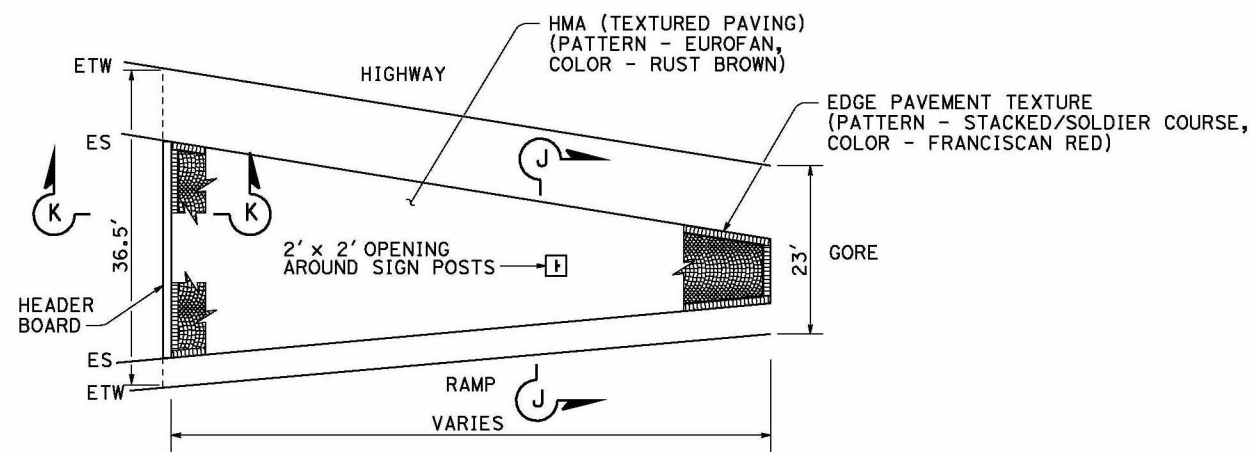
SECTION K-K

HEADER BOARD DETAIL

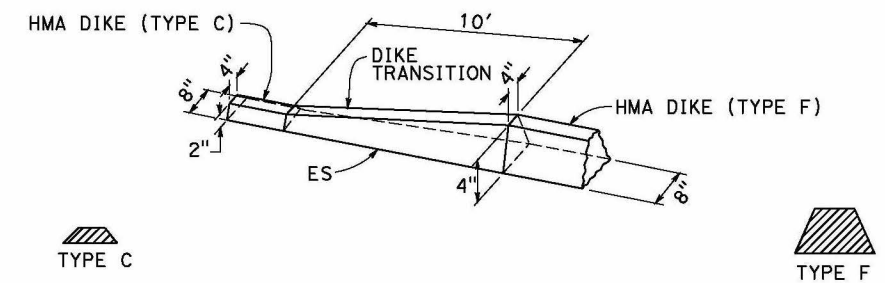
NOTE: TOP OF HEADER 1 3/4" ABOVE FINISH GRADE



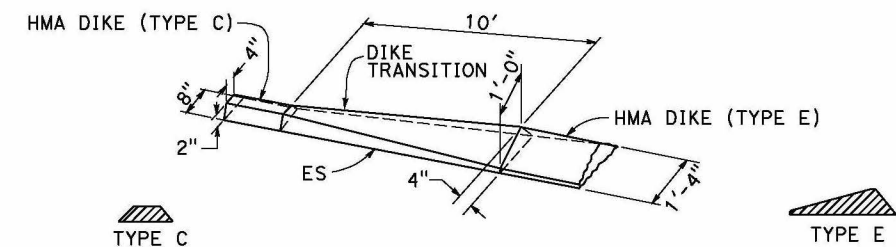
SECTION J-J



EXTEND GORE PAVING DETAIL



HMA DIKE (TYPE C) TO HMA DIKE (TYPE F)



HMA DIKE (TYPE C) TO HMA DIKE (TYPE E)

HMA DIKE TRANSITION DETAILS

THIS EXAMPLE IS ONE OF MANY EXAMPLES OF THE VARIOUS TYPES OF PROJECT PLAN SHEETS FROM THE SAME CONSTRUCTION PROJECT, "ROUTE 65 BYPASS PROJECT."

CONSTRUCTION DETAILS SHEET, EXAMPLE "65 C-22"

CONSTRUCTION DETAILS
NO SCALE

C-22