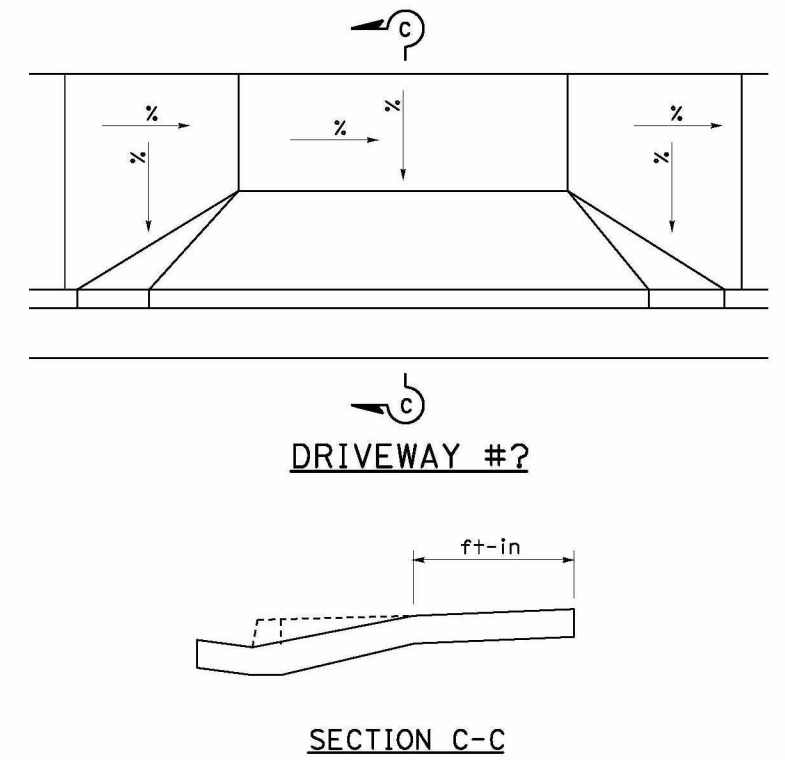
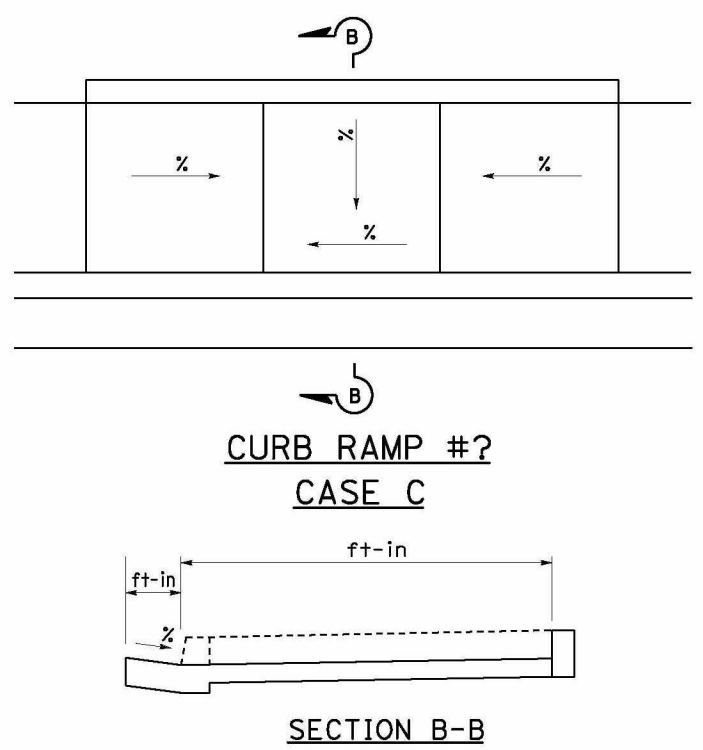
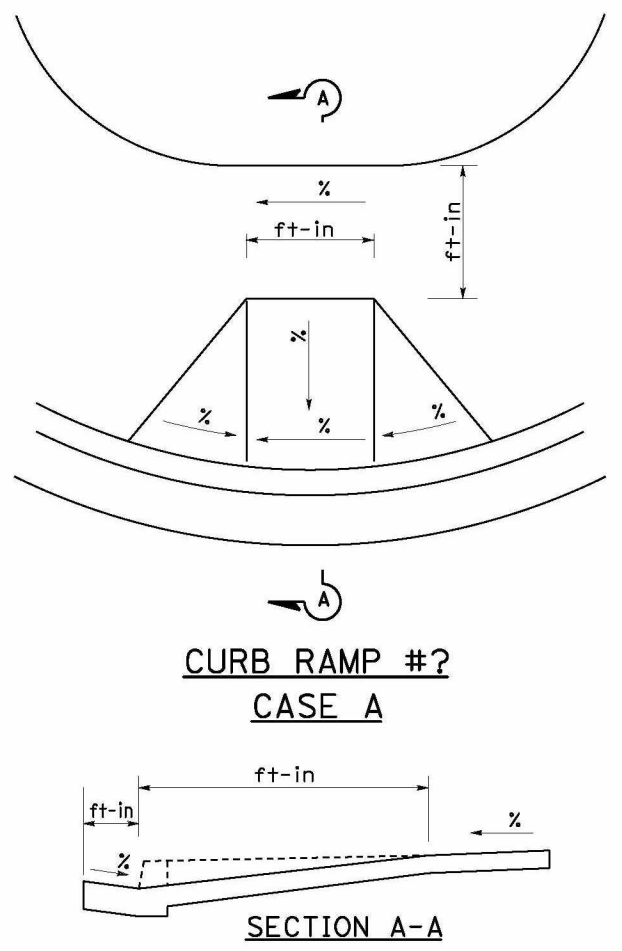


Dist	COUNTY	ROUTE	POST MILES TOTAL PROJECT	SHEET No.	TOTAL SHEETS
REGISTERED CIVIL ENGINEER			DATE		
PLANS APPROVAL DATE					
<small>THE STATE OF CALIFORNIA OR ITS OFFICERS OR AGENTS SHALL NOT BE RESPONSIBLE FOR THE ACCURACY OR COMPLETENESS OF SCANNED COPIES OF THIS PLAN SHEET.</small>					



- A construction detail is to be shown for each curb ramp location. A curb ramp location is not a separate location of construction unless it meets the definition of a location of construction as described in Section 2-2.2 of the Plans Preparation Manual. An intersection with four (4) curb ramps locations is NOT four (4) locations of construction.
- A construction detail for each curb ramp in the project must be included in the advertised contract plans. This includes curb ramps that meet all of the aspects of the conservative design standards and curb ramps with aspects that don't meet the conservative design standards but meet the Federal/California standards. A detail for each curb ramp, whether a remove/replace or new location, conveys to the bidder/contractor that an ADA compliant curb ramp can be constructed per the design shown on the plans.
- Construction details of curb ramps are also for the purpose of estimating minor concrete quantities, showing elevation points for constructing the ramp, key points for construction staking, showing obstacles or constraints, showing unique features such as bulb-outs and showing that the entire perimeter of the curb ramp ties in to existing ground and the adjacent roadway.
- Design slopes, elevations and dimensions are to be shown for each curb ramp. The terms "maximum" or "minimum" shall not be used on construction details for any curb ramp or driveway. Each construction detail is to provide specific design information for the contractor to construct each curb ramp from the project plans.
- Since the standard plans do not show specific slopes or dimensions, compliant curb ramps are not to be labeled as modified. The case type on which the curb ramp is based may be mentioned as part of the curb ramp number.
- If any aspect of an individual curb ramp does not meet the conservative design standards, the curb ramp must be included in the quantity and individually identified in the quantity table for the bid item "PRE/POST CONSTRUCTION SURVEYS" in the summary of quantities. A curb ramp where all aspects meet the conservative design standards, is NOT to be included.
- The Division of Construction requires inspection documentation of all completed permanent pedestrian facilities (see Construction Policy Bulletin (CPB) 17-1). For each slope or dimension check, Construction takes and records three readings equally dispersed across the surface to be measured. The readings are not averaged. This is especially important on a radial configuration (where the inner radius is the controlling factor).
- Components or elements of a curb ramp or driveway include but are not limited to the following:
 - ramp
 - flare
 - landing (turning space)
 - gutter counter slope
 - conforms/transitions



CURB RAMP AND DRIVEWAY DESIGN CRITERIA

CONSTRUCTION DETAILS

STATE OF CALIFORNIA - DEPARTMENT OF TRANSPORTATION
 CALTRANS
 PLANS PREPARATION MANUAL

DESIGNED BY	CHECKED BY
REVISIONS	REVISIONS
DATE	DATE
BY	BY
REVISIONS	REVISIONS
DATE	DATE
BY	BY
REVISIONS	REVISIONS
DATE	DATE
BY	BY

CURB RAMP-DRIVEWAY, DESIGN, RELEASED 08/30/2017
 DATE PLOTTED => 05-SEP-2017
 TIME PLOTTED => 13:35