

Dist	COUNTY	ROUTE	POST MILES TOTAL PROJECT	SHEET No.	TOTAL SHEETS
03	Pla	65	R11.9/R24.1		

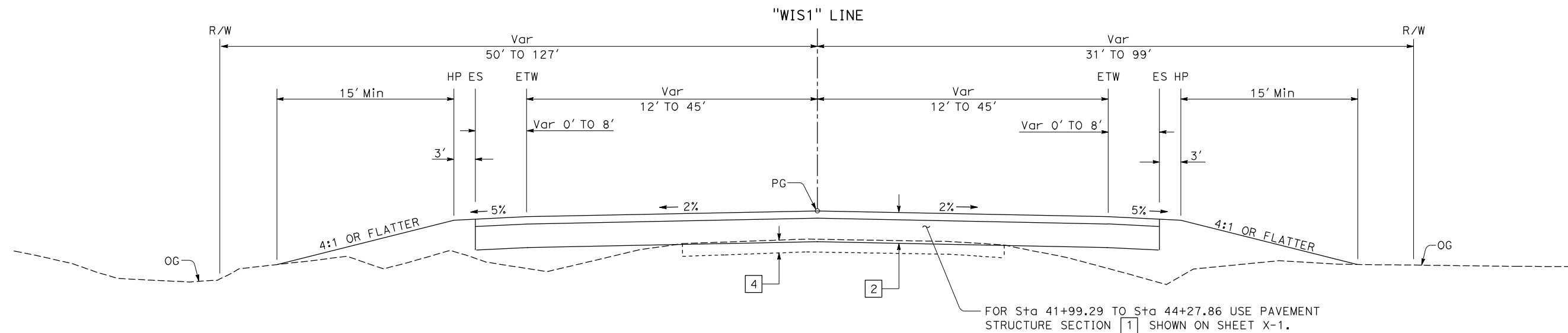
REGISTERED CIVIL ENGINEER DATE _____

PLANS APPROVAL DATE _____

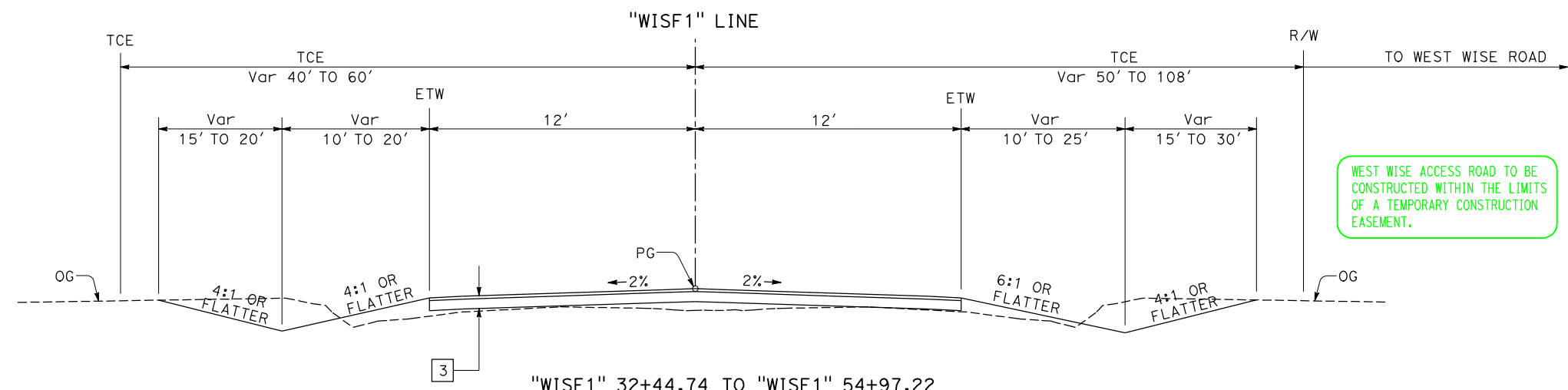
THE STATE OF CALIFORNIA OR ITS OFFICERS OR AGENTS SHALL NOT BE RESPONSIBLE FOR THE ACCURACY OR COMPLETENESS OF SCANNED COPIES OF THIS PLAN SHEET.

TYPICAL CROSS SECTION SHEET, EXAMPLE "65 XSEC-16" RELEASED 1/6/2012

STATE OF CALIFORNIA - DEPARTMENT OF TRANSPORTATION
 Galtrans®
 FUNCTIONAL SUPERVISOR
 CALCULATED-DESIGNED BY
 CHECKED BY
 REVISED BY
 DATE REVISED



"WIS1" 30+98.57 TO "WIS1" 41+99.29
 "WIS1" 44+27.86 TO "WIS1" 53+98.54
WEST WISE ROAD



"WISF1" 32+44.74 TO "WISF1" 54+97.22
WEST WISE ACCESS ROAD

**TYPICAL CROSS SECTION SHEET, EXAMPLE "65 XSEC-16"
 (NEW CONSTRUCTION)**

THIS EXAMPLE IS ONE OF MANY EXAMPLES OF THE VARIOUS TYPES OF PROJECT PLAN SHEETS FROM THE SAME CONSTRUCTION PROJECT, "ROUTE 65 BYPASS PROJECT."

TYPICAL CROSS SECTIONS
 NO SCALE
X-16