



Bridge Design Details 8.10 January 2023

Median Slab with Concrete Barrier

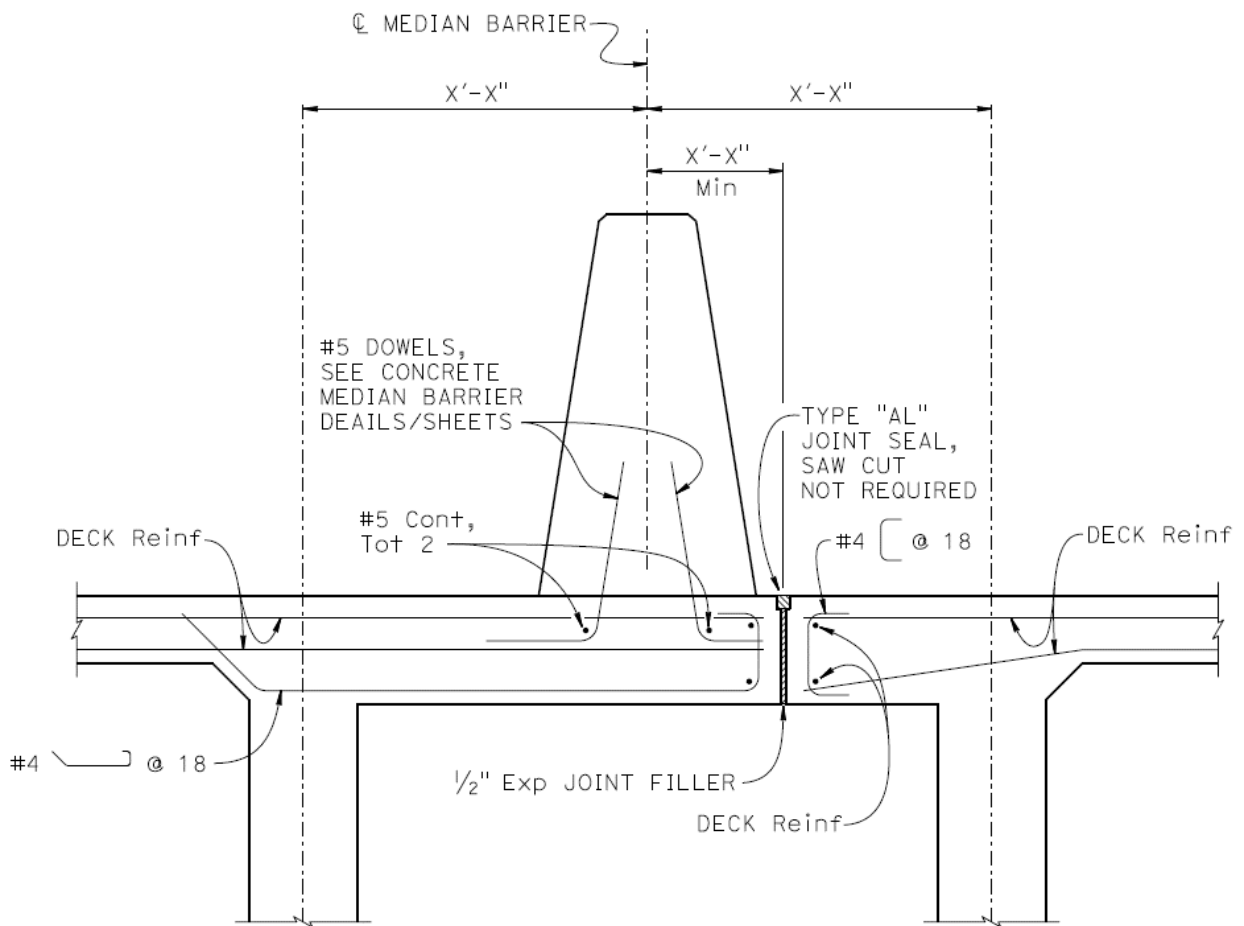


Figure 8.10.1 Median Slab with Concrete Barrier

Notes:

1. Joint to be located on low side of concrete barrier.
2. Median barrier should be centered between girders, if possible.