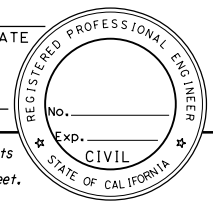
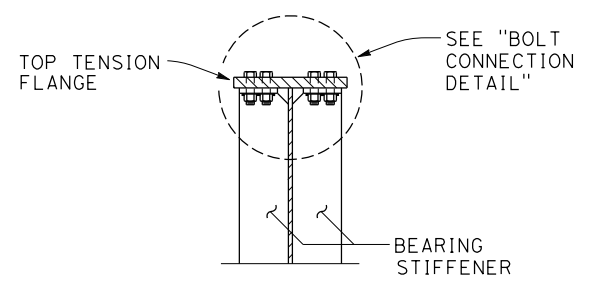
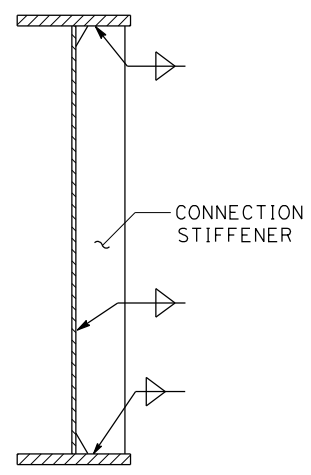


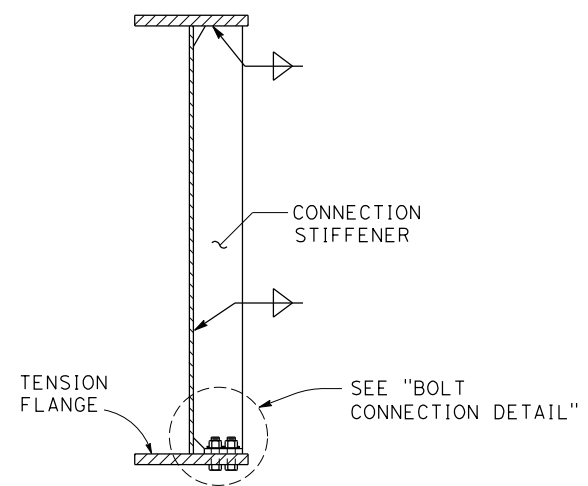
DIST	COUNTY	ROUTE	POST MILES TOTAL PROJECT	SHEET No.	TOTAL SHEETS
X					
REGISTERED CIVIL ENGINEER			DATE		
PLANS APPROVAL DATE					
<small>The State of California or its officers or agents shall not be responsible for the accuracy or completeness of scanned copies of this plan sheet.</small>					
<small>The Registered Civil Engineer for the project is responsible for the selection and proper application of the component design and any modifications shown.</small>					



**ALTERNATIVE 3  
BOLTED CONNECTION**



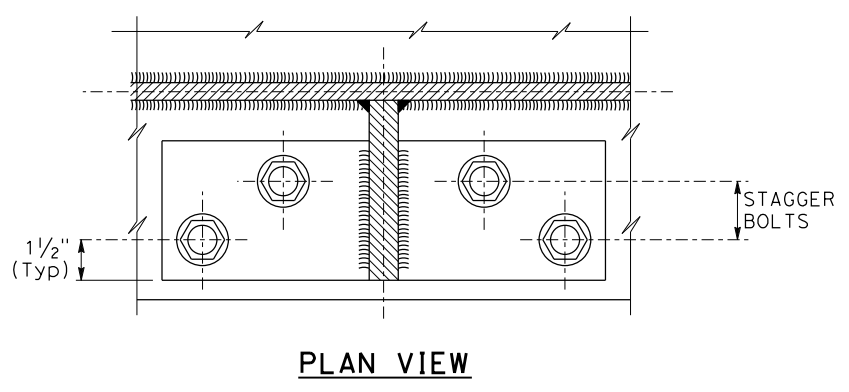
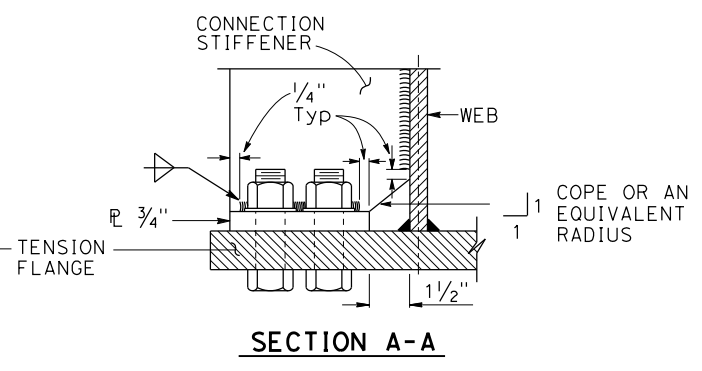
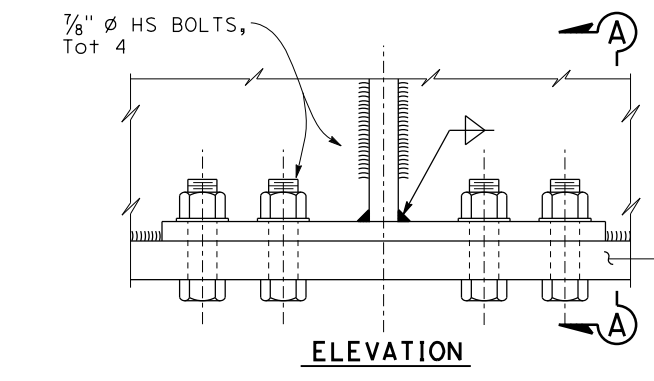
**ALTERNATIVE 1  
WELDED CONNECTION**



**ALTERNATIVE 2  
BOLTED CONNECTION**

**CONNECTION STIFFENER**

CROSS FRAME OR DIAPHRAGM NOT SHOWN  
(ONE-SIDE STIFFENER SHOWN, OTHER SIDE SIMILAR)



**BOLT CONNECTION DETAIL**

FOR 3/4" PLATE:  
WIDTH TO BE AS DRAWN.  
LENGTH TO BE MINIMUM TO PROVIDE FOR INSTALLATION CLEARANCE AND 2 5/8" C-C BETWEEN ADJACENT BOLTS.

- NOTES:
- For stiffener sizes see Project Plan sheets.
  - See Project Plan sheets for locations where bolted connection is required.

NOTE TO DESIGNER: (remove this note before printing)

The weld between the connection stiffener and the flange or the tab plate shall be designed for lateral loads.

The bolts connecting tab plate and the flange shall be designed for lateral loads.

The detail sheets must define locations where the bolted connection is required.

The detail sheets must define locations where the weld size required is larger than the minimum.

NO SCALE

BRIDGE STANDARD DETAILS			STATE OF CALIFORNIA			DIVISION OF ENGINEERING SERVICES			BRIDGE NO.			STEEL GIRDER CONNECTION STIFFENER DETAILS		
xs1-410-3	April 2017	The components of the Bridge Standard Details have been prepared under the responsible charge of the Technical Owner, a registered civil engineer in the State of California.	DEPARTMENT OF TRANSPORTATION			ENGINEERING SERVICES			POST MILE					
FILE NO.	APPROVAL DATE		ORIGINAL SCALE IN INCHES FOR REDUCED PLANS	0	1	2	3	UNIT: PROJECT NUMBER & PHASE:	CONTRACT NO.:	DISREGARD PRINTS BEARING EARLIER REVISION DATES	REVISION DATES	SHEET	OF	
Refer to: <a href="http://www.dot.ca.gov/hq/esc/techpubs/manual/bridgemanuals/bridge-standard-detail-sheets/index.html">http://www.dot.ca.gov/hq/esc/techpubs/manual/bridgemanuals/bridge-standard-detail-sheets/index.html</a>	FILE => \$REQUEST	USERNAME => \$USER	TIME PLOTTED => \$TIME	DATE PLOTTED => \$DATE						6-18-14	3-6-16	3-6-17		