

Dist	COUNTY	ROUTE	POST MILES TOTAL PROJECT	SHEET No.	TOTAL SHEETS
				X	
REGISTERED CIVIL ENGINEER			DATE	X	
PLANS APPROVAL DATE			X		
THE STATE OF CALIFORNIA OR ITS OFFICERS OR AGENTS SHALL NOT BE RESPONSIBLE FOR THE ACCURACY OR COMPLETENESS OF SCANNED COPIES OF THIS PLAN SHEET.					
THE REGISTERED CIVIL ENGINEER FOR THE PROJECT IS RESPONSIBLE FOR THE SELECTION AND PROPER APPLICATION OF THE COMPONENT DESIGN AND ANY MODIFICATIONS SHOWN.					

GENERAL DECK PANEL DESIGN NOTES:

DESIGN:
AASHTO LRFD Bridge Design Specifications, 2017 edition with California Amendments, preface dated December 2023

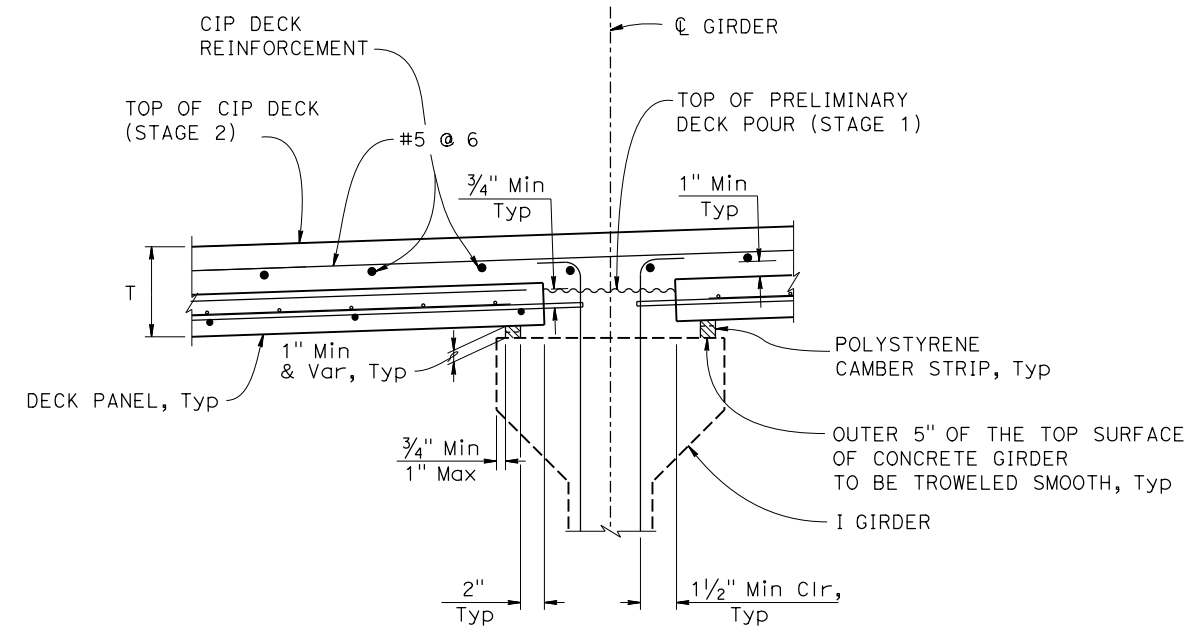
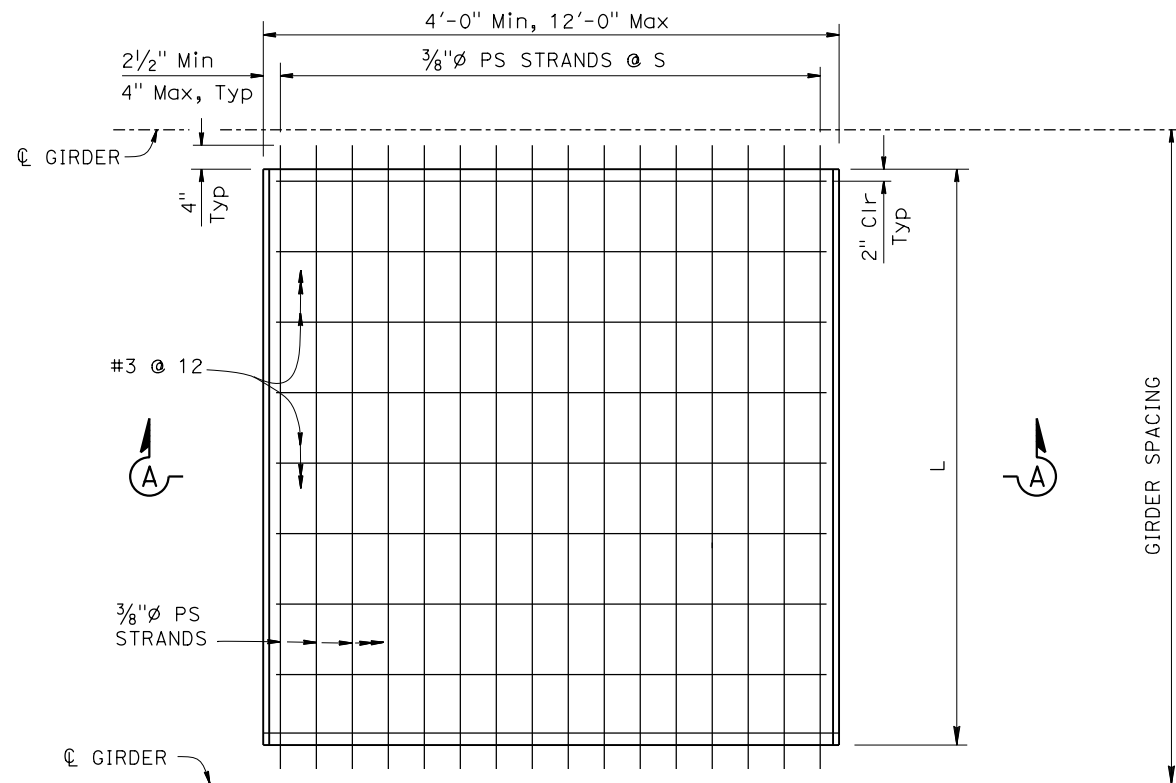
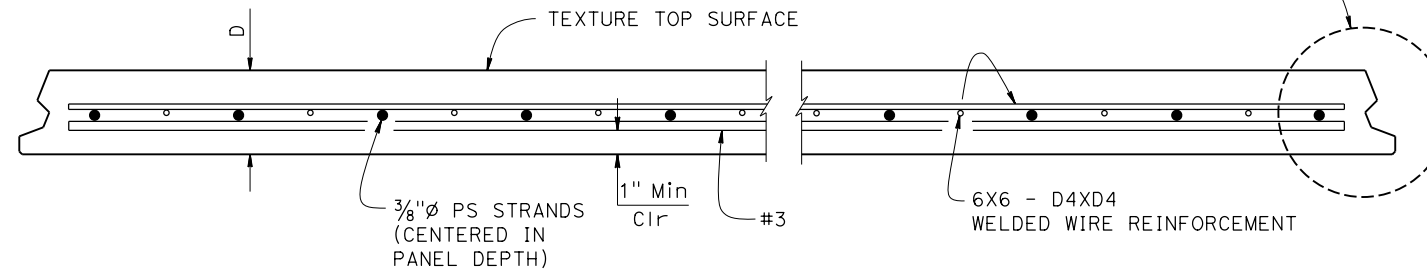
PRESTRESSING:
P_j = 16 kips/strand
All prestressing steel must be 3/8"Ø Grade 270, seven wire low relaxation strands

CONCRETE STRENGTH:
f'_{ci} = 4.5 ksi
f'_c = 6.0 ksi

DECK PANEL TABLE

GIRDER SPACING (ft)	PANEL DEPTH "D" (in.)	PANEL LENGTH "L" (ft)	STRAND SPACING "S" (in.)	TOTAL DECK THICKNESS "T" (in.)

SEE "DETAIL 2" ON "PC/PS CONCRETE DECK PANEL MISCELLANEOUS DETAILS" SHEET



BRIDGE STANDARD DETAILS		DESIGN BY X	CHECKED X	STATE OF CALIFORNIA DEPARTMENT OF TRANSPORTATION	BRIDGE No. XX-XXXX POST MILE X.X	X PC/PS CONCRETE DECK PANEL DETAILS (I GIRDER)
xs1-180-2 FILE NO.	JULY 2024 APPROVAL DATE	DETAILS BY X	CHECKED X			
		QUANTITIES BY X	CHECKED X			
DATE PLOTTED => 26-JUL-2024 TIME PLOTTED => 10:49 ORIGINAL SCALE IN INCHES FOR REDUCED PLANS 0 1 2 3				UNIT: XXXX PROJECT NUMBER & PHASE: XXXXXXXXXX1	COUNTY/ROUTE/ZONE: XXX/XXX/X CONTRACT No.: XX-XXXXX4	DISREGARD PRINTS BEARING EARLIER REVISION DATES
Refer to: http://www.dot.ca.gov/hq/esc/techpubs/manual/bridgemanuals/bridge-standard-detail-sheets/index.html						REVISION DATES SHEET OF X X