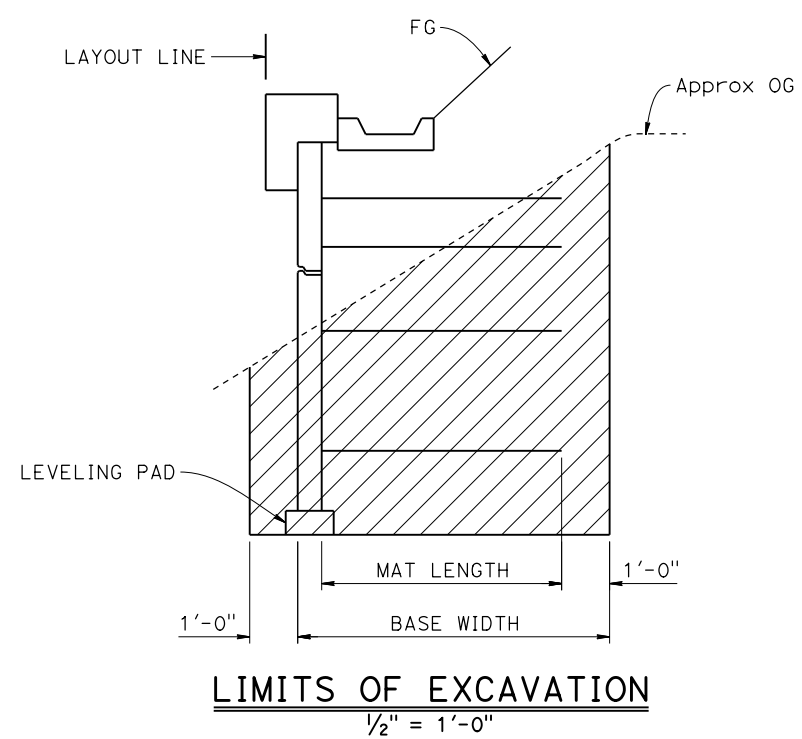
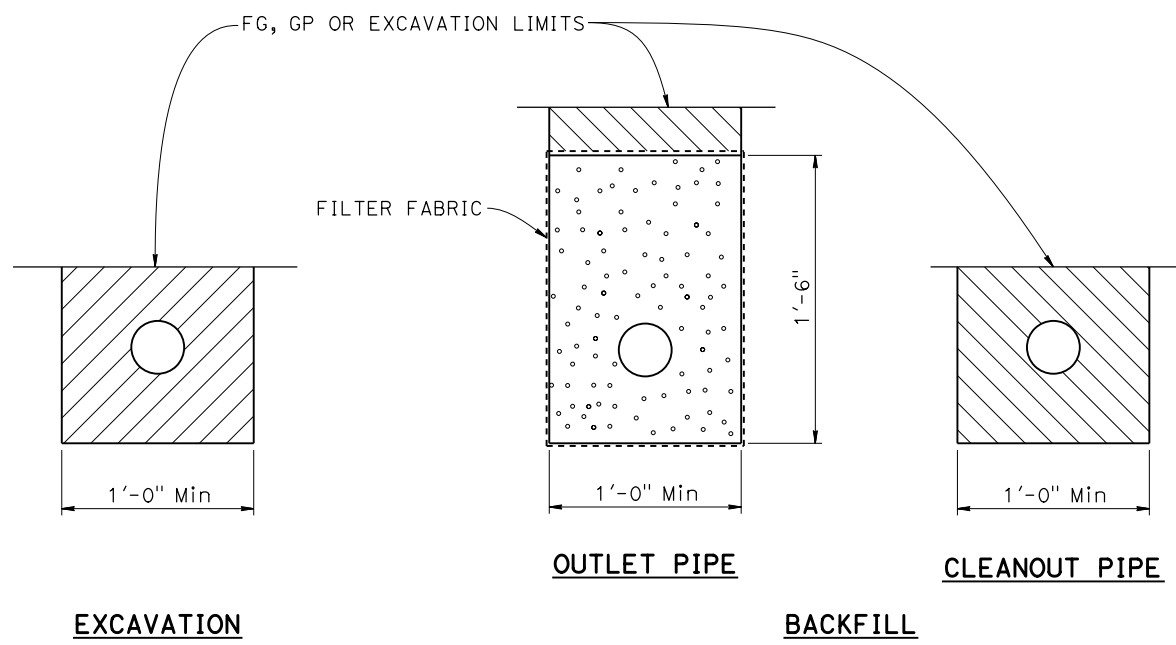


Dist	COUNTY	ROUTE	POST MILES TOTAL PROJECT	SHEET No.	TOTAL SHEETS
REGISTERED CIVIL ENGINEER			X	DATE	
PLANS APPROVAL DATE					
<small>THE STATE OF CALIFORNIA OR ITS OFFICERS OR AGENTS SHALL NOT BE RESPONSIBLE FOR THE ACCURACY OR COMPLETENESS OF SCANNED COPIES OF THIS PLAN SHEET.</small>					
<small>THE REGISTERED CIVIL ENGINEER FOR THE PROJECT IS RESPONSIBLE FOR THE SELECTION AND PROPER APPLICATION OF THE COMPONENT DESIGN AND ANY MODIFICATIONS SHOWN.</small>					



LIMITS OF EXCAVATION
1/2" = 1'-0"



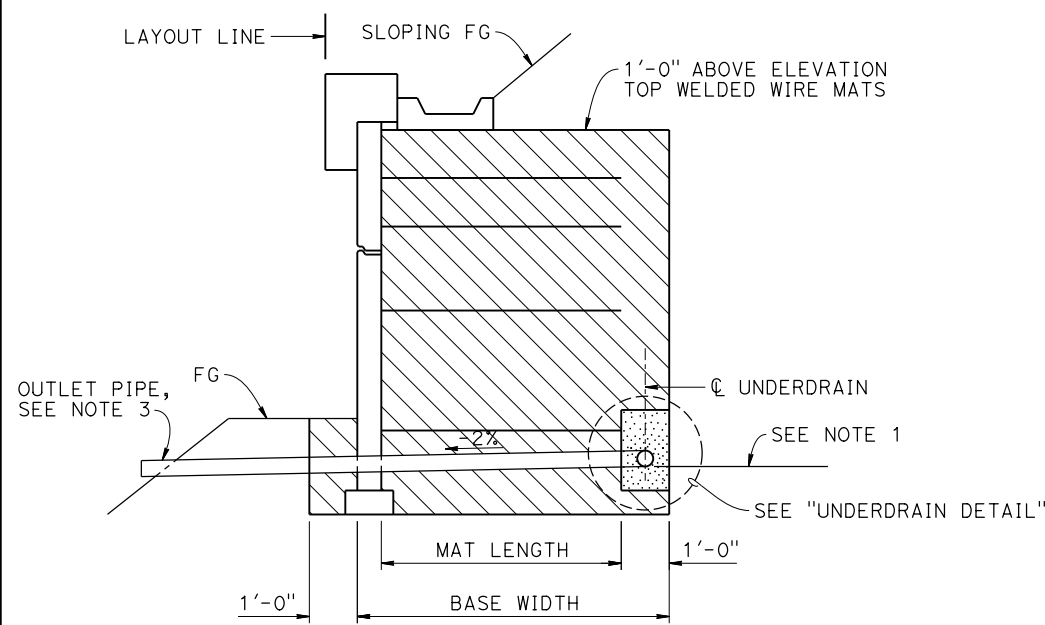
EXCAVATION **BACKFILL**
UNPERFORATED OUTLET PIPE/CLEANOUT PIPE FOR UNDERDRAIN
NO SCALE

NOTES:

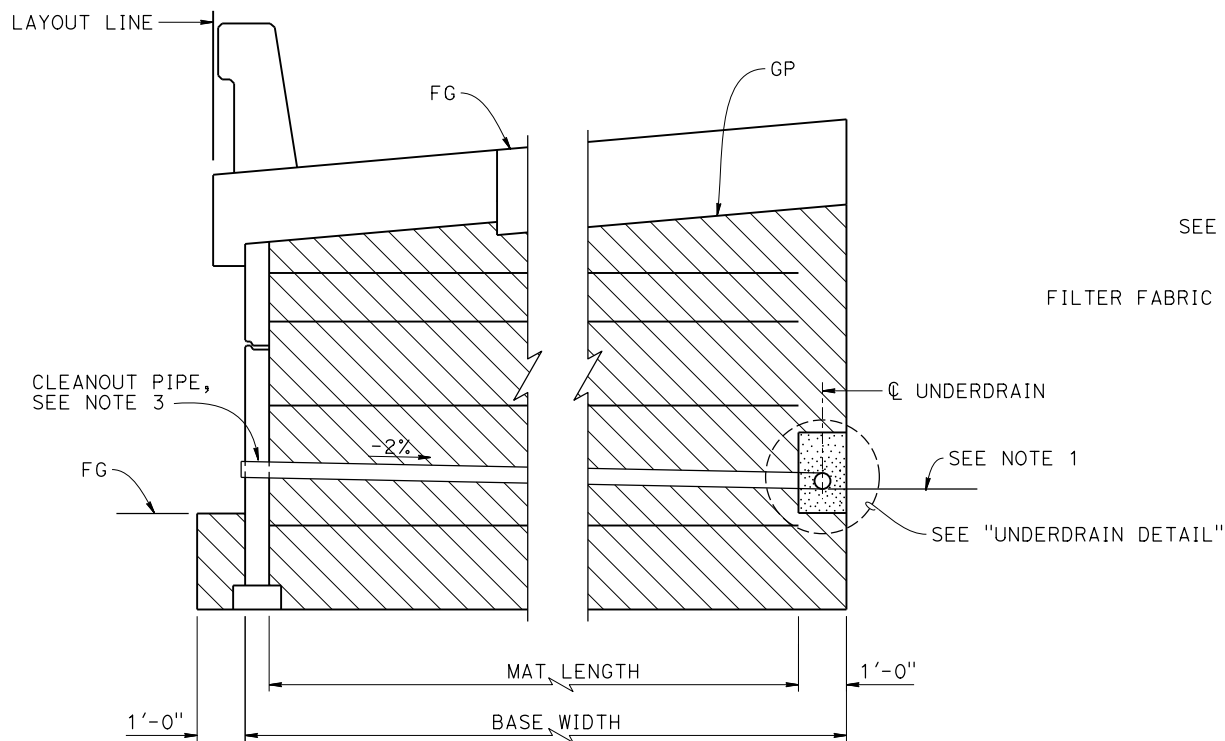
1. Locate Underdrain behind bottom level of Welded Wire Mats wherever possible, or at elevation needed to drain.
2. Place perforated pipe Underdrain of diameter shown elsewhere or minimum 4"Ø smooth-wall PVC or minimum 8"Ø corrugated HDPE.
3. Maximum spacing of Outlet Pipes and Cleanout Pipes is 200 feet.
4. At sags in profile of Underdrain, install Outlet Pipe for each direction of flow.

LEGEND:

- Structure Excavation
- Structure Backfill
- Permeable Material

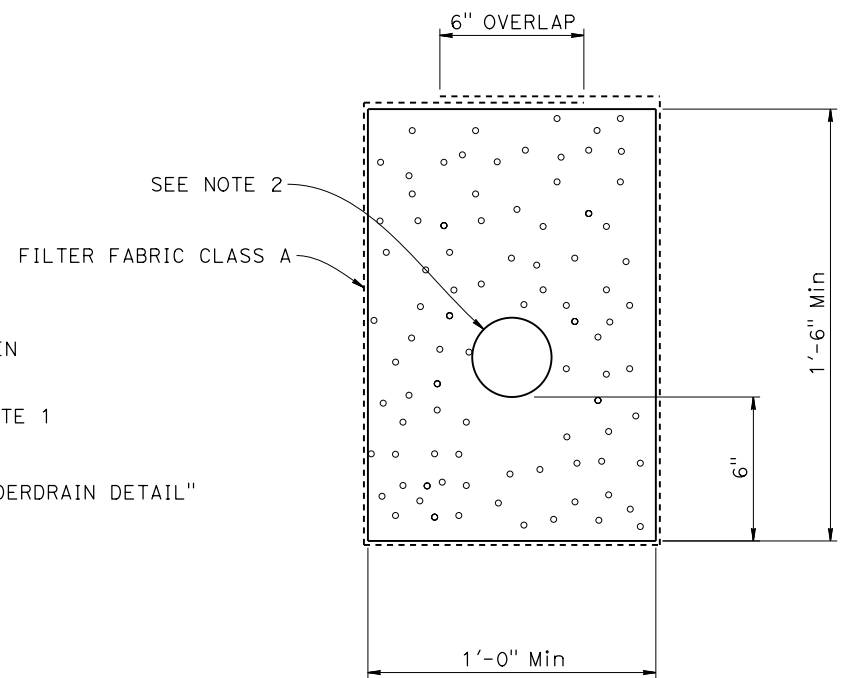


SLOPING FINISHED GRADE



LIMITS OF BACKFILL
1/2" = 1'-0"

ROADWAY SECTION



UNDERDRAIN DETAIL
NO SCALE

BRIDGE STANDARD DETAILS			STATE OF CALIFORNIA DEPARTMENT OF TRANSPORTATION			DIVISION OF ENGINEERING SERVICES			MECHANICALLY STABILIZED EMBANKMENT DETAILS No. 6		
xs13-020-6 FILE No.	April 2024 APPROVAL DATE	<small>The components of the Bridge Standard Details have been prepared under the responsible charge of the Technical Owner, a registered civil engineer in the State of California.</small>									
<small>Refer to: http://www.dot.ca.gov/hq/esc/techpubs/manual/bridgemanuals/bridge-standard-detail-sheets/Index.html</small>			<small>DATE PLOTTED => 23-APR-2024 TIME PLOTTED => 23:18 FILE => 202404-xs13-020-6_clipped.dwg\$SERNAME => s120745</small>			<small>ORIGINAL SCALE IN INCHES FOR REDUCED PLANS</small>			<small>UNIT: XXXX PROJECT NUMBER & PHASE: XXXXXXXXXX1</small>		