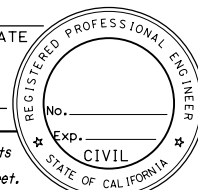
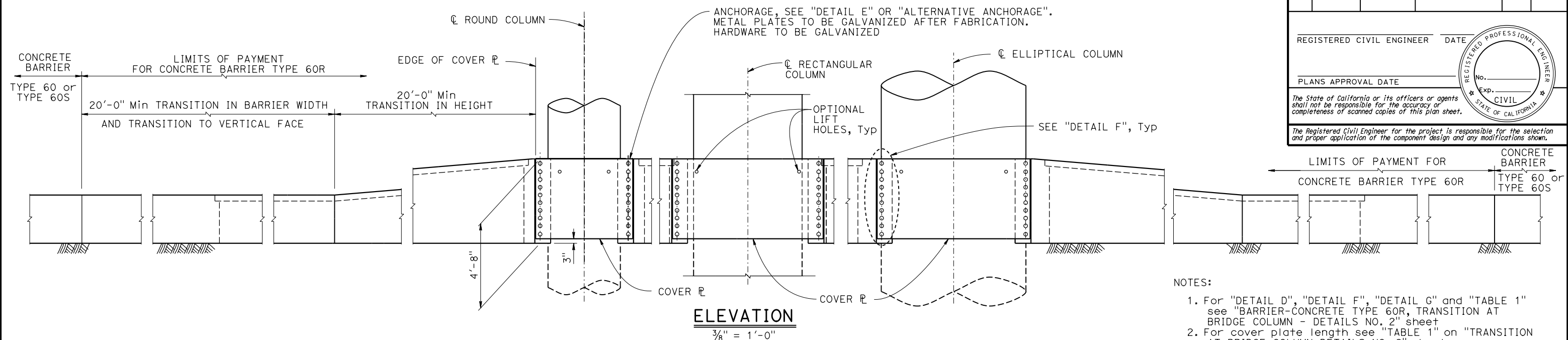
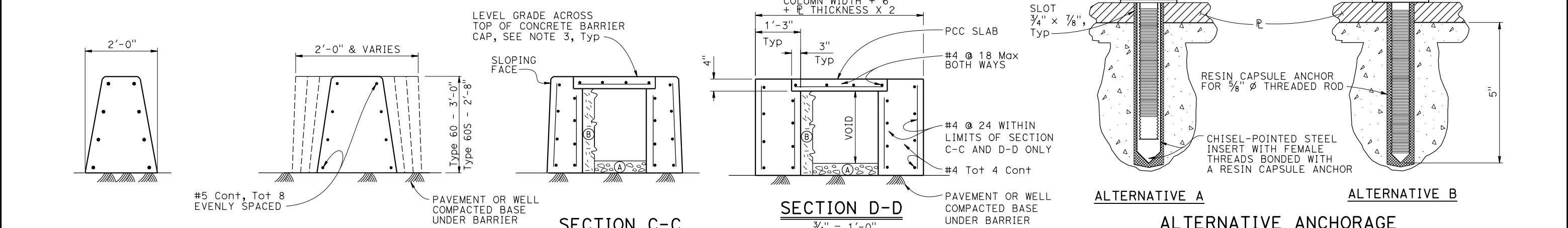
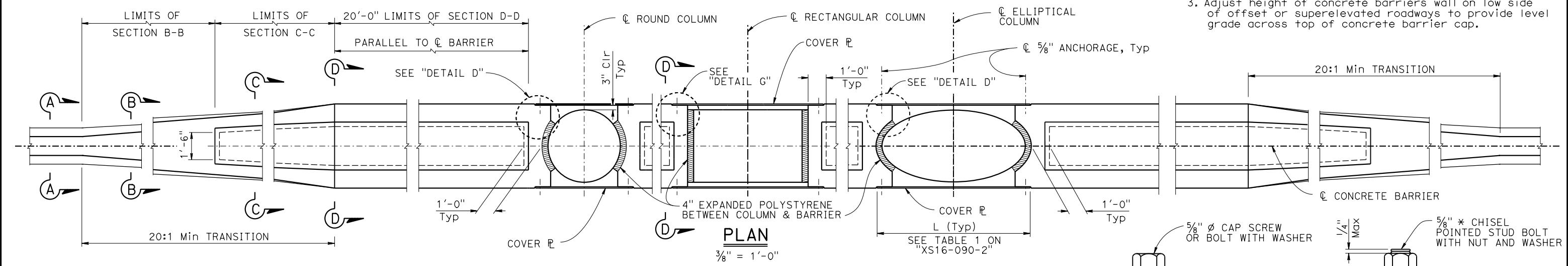


DIST	COUNTY	ROUTE	POST MILES TOTAL PROJECT	SHEET No.	TOTAL SHEETS
REGISTERED CIVIL ENGINEER			DATE		
PLANS APPROVAL DATE					
<small>The State of California or its officers or agents shall not be responsible for the accuracy or completeness of scanned copies of this plan sheet.</small>					
<small>The Registered Civil Engineer for the project is responsible for the selection and proper application of the component design and any modifications shown.</small>					



- NOTES:
1. For "DETAIL D", "DETAIL F", "DETAIL G" and "TABLE 1" see "BARRIER-CONCRETE TYPE 60R, TRANSITION AT BRIDGE COLUMN - DETAILS NO. 2" sheet
 2. For cover plate length see "TABLE 1" on "TRANSITION AT BRIDGE COLUMN-DETAILS NO. 2" sheet
 3. Adjust height of concrete barriers wall on low side of offset or superelevated roadways to provide level grade across top of concrete barrier cap.



- NOTES:
1. Contractor options for fill between barrier walls
 - (A) Place 4" PCC at base between barrier walls
 - (B) Place granular material from base to bottom of 4" cap

BRIDGE STANDARD DETAILS		<small>The components of the Bridge Standard Details have been prepared under the responsible charge of the Technical Owner, a registered civil engineer in the State of California.</small>	STATE OF CALIFORNIA DEPARTMENT OF TRANSPORTATION	DIVISION OF ENGINEERING SERVICES	BRIDGE NO.	CONCRETE BARRIER TYPE 60R TRANSITION AT BRIDGE COLUMN-DETAILS No. 1		
xs16-090-1 <small>FILE NO.</small>	July 2014 <small>APPROVAL DATE</small>				POST MILE			
<small>Refer to: http://www.dot.ca.gov/hq/esc/techpubs/manual/bridgemanuals/bridge-standard-detail-sheets/index.html</small>		<small>FILE => xs16-090-1.dgn</small> <small>USERNAME => s136236</small>	<small>ORIGINAL SCALE IN INCHES FOR REDUCED PLANS</small> 0 1 2 3	<small>UNIT: PROJECT NUMBER & PHASE:</small>	<small>CONTRACT NO.:</small>	<small>DISREGARD PRINTS BEARING EARLIER REVISION DATES</small>	<small>REVISION DATES</small> 5-26-14 7-14-16	<small>SHEET OF</small>