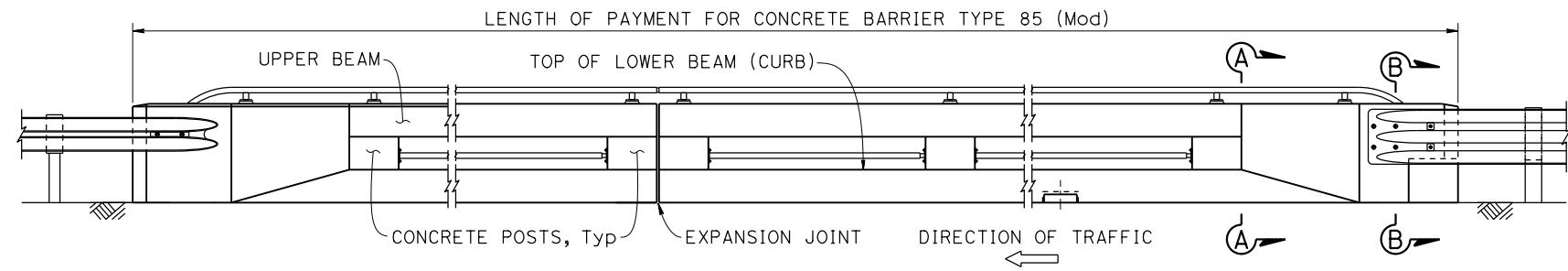
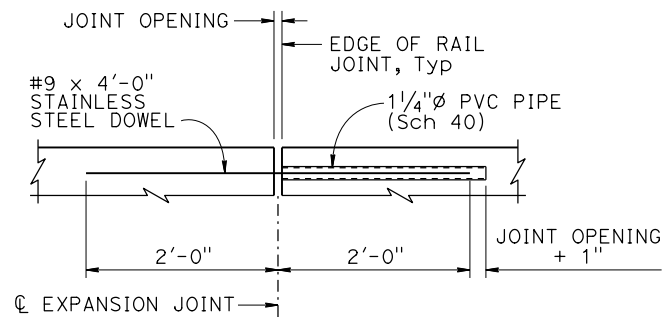


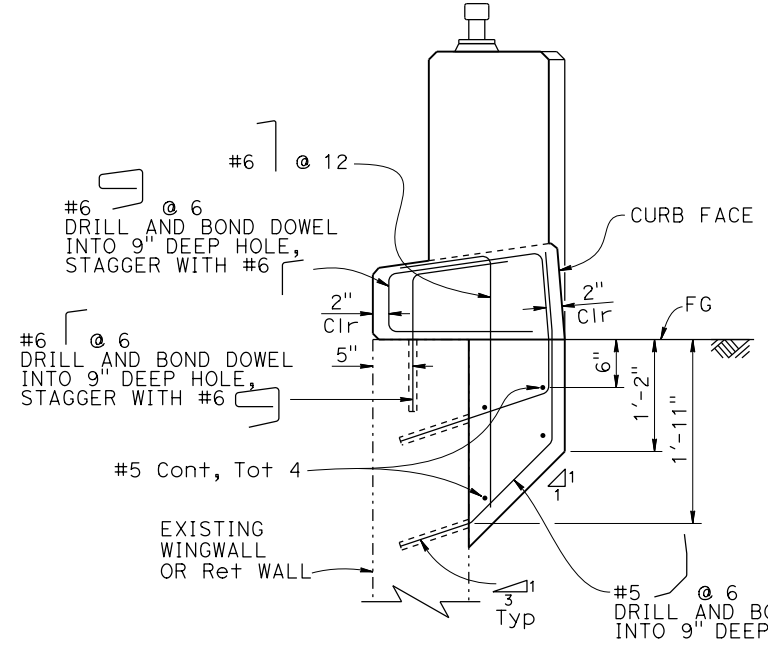
Dist	COUNTY	ROUTE	POST MILES TOTAL PROJECT	SHEET No.	TOTAL SHEETS
REGISTERED CIVIL ENGINEER			X	DATE	
PLANS APPROVAL DATE					
<p>THE STATE OF CALIFORNIA OR ITS OFFICERS OR AGENTS SHALL NOT BE RESPONSIBLE FOR THE ACCURACY OR COMPLETENESS OF SCANNED COPIES OF THIS PLAN SHEET.</p> <p>THE REGISTERED CIVIL ENGINEER FOR THE PROJECT IS RESPONSIBLE FOR THE SELECTION AND PROPER APPLICATION OF THE COMPONENT DESIGN AND ANY MODIFICATIONS SHOWN.</p>					



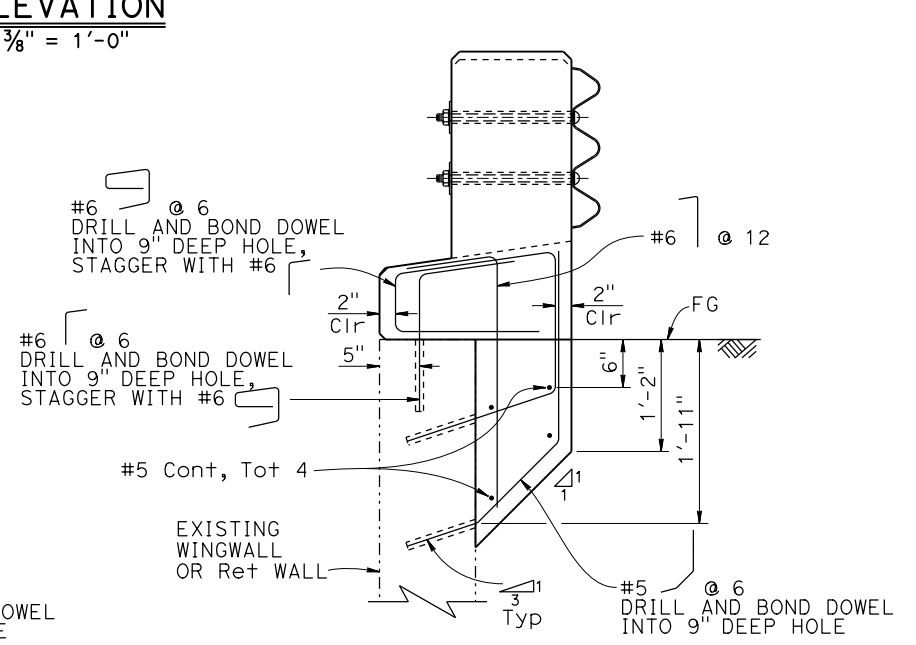
**ELEVATION**  
3/8" = 1'-0"



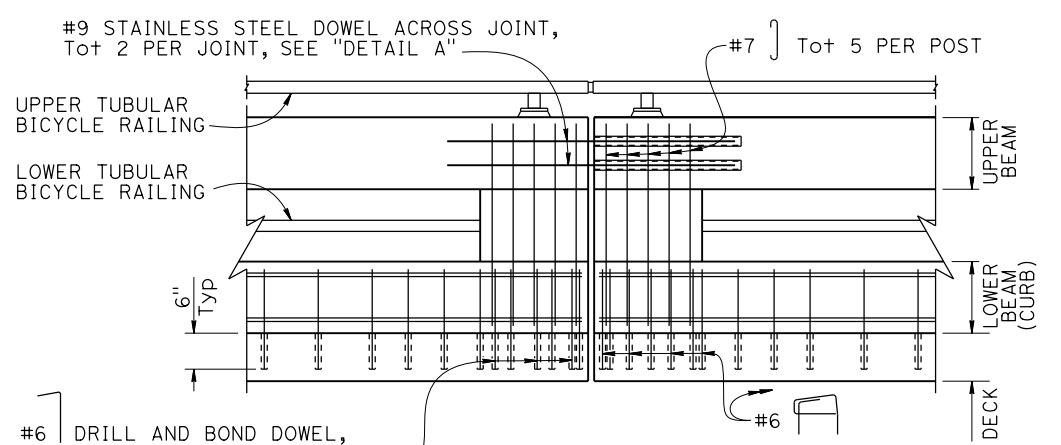
**DETAIL A**  
NO SCALE



**SECTION A-A**  
NO SCALE

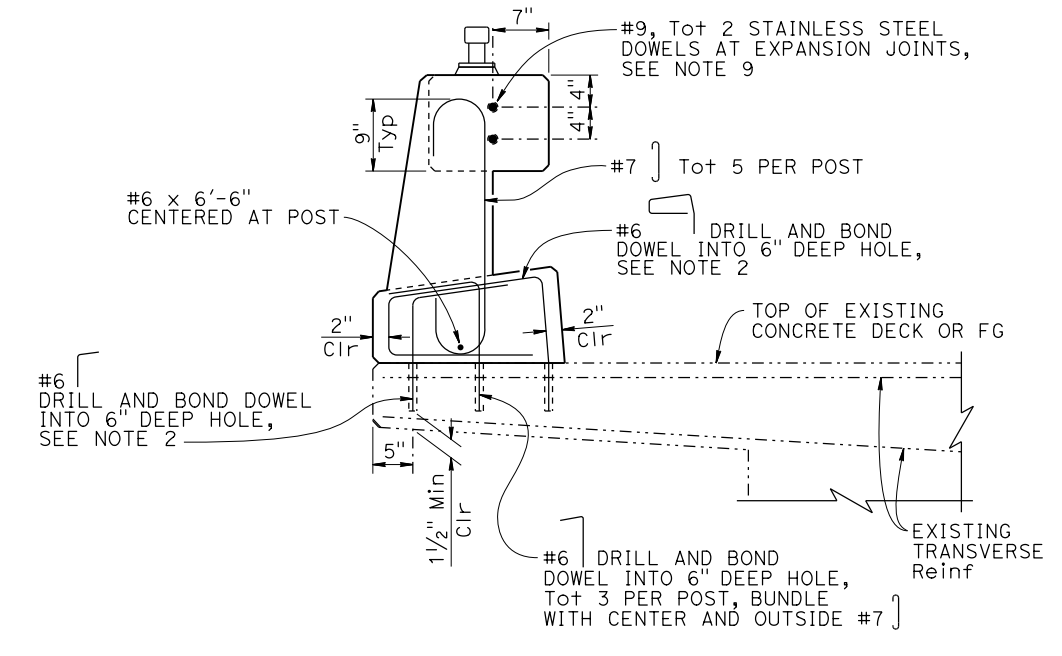


**SECTION B-B**  
NO SCALE

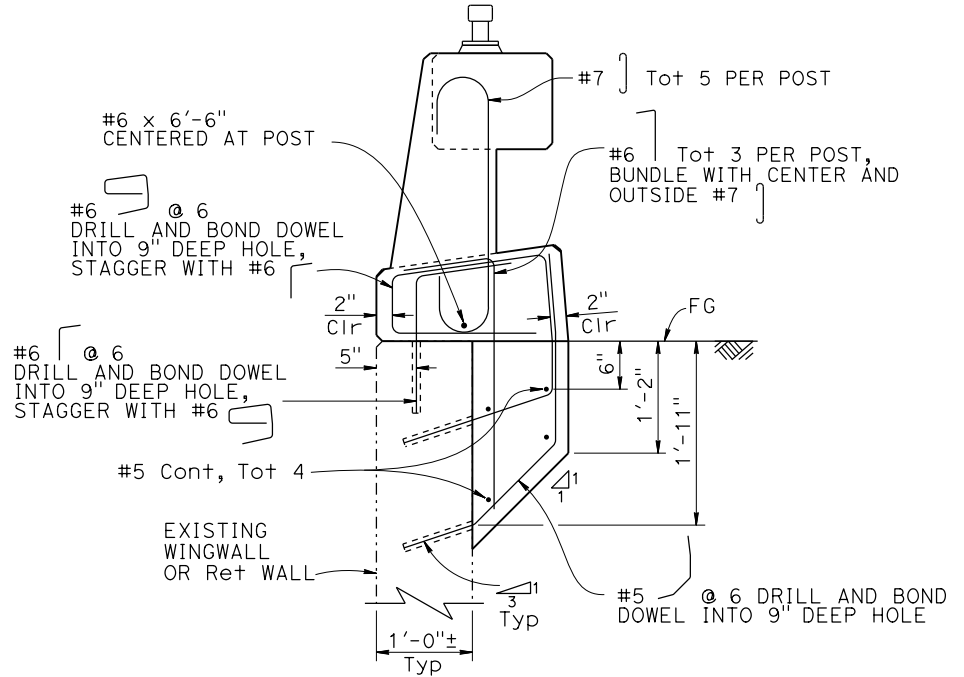


**EXPANSION JOINT DETAIL**  
3/4" = 1'-0"

NOTE:  
Reinforcement symmetrical on either side of Expansion Joint.



**CONCRETE BARRIER TYPE 85 (Mod)**  
NO SCALE



**CONCRETE BARRIER TYPE 85A (Mod)**  
NO SCALE

NOTES:

- For all dimensions, clearances to reinforcement, reinforcement spacing, and reinforcement not shown, including tubular bicycle railing and any additional details, see Standard Plans B11-83 through B11-87.
- For spacing of drill & bond reinforcement and use spacing shown on Standard Plans B11-84 for [diagram].
- Longitudinal reinforcement to stop at all expansion joints, except #9 Stainless Steel Dowel Bars.
- Expansion joint to match deck joint.
- Minimum existing deck thickness at drill and bond dowels is 7/2".
- Roughen existing concrete surface before casting new concrete against existing concrete surface.
- Use stainless steel drill & bond dowels in freeze-thaw or within 1000 feet of ocean or tidal water.
- Clearance to reinforcement is 1" unless otherwise shown.
- Place PVC pipe 1/2" clearance minimum to reinforcement.
- For wingwalls less than 14'-0" long, extend end block all the way to the expansion joint.

LEGEND:

----- Existing Structure

BRIDGE STANDARD DETAILS		The components of the Bridge Standard Details have been prepared under the responsible charge of the Technical Owner, a registered civil engineer in the State of California.	STATE OF CALIFORNIA DEPARTMENT OF TRANSPORTATION	DIVISION OF ENGINEERING SERVICES	BRIDGE No.	<b>X</b>				
<b>xs16-046</b> FILE NO.	January 2025 APPROVAL DATE				XX-XXXX POST MILE		<b>CONCRETE BARRIER TYPE 85 RETROFIT</b>			
Refer to: <a href="http://www.dot.ca.gov/hq/esc/techpubs/manual/bridgemanuals/bridge-standard-detail-sheets/index.html">http://www.dot.ca.gov/hq/esc/techpubs/manual/bridgemanuals/bridge-standard-detail-sheets/index.html</a>			DATE PLOTTED => 16-JAN-2025 FILE => xs16-046.dgn	TIME PLOTTED => 14:23 USERNAME => s155182	ORIGINAL SCALE IN INCHES FOR REDUCED PLANS 0 1 2 3	UNIT: XXXX PROJECT NUMBER & PHASE: XXXXXXXXXX1	COUNTY/ROUTE: XXX/XXX CONTRACT No.: XX-XXXXXX4	DISREGARD PRINTS BEARING EARLIER REVISION DATES	REVISION DATES	SHEET OF X X