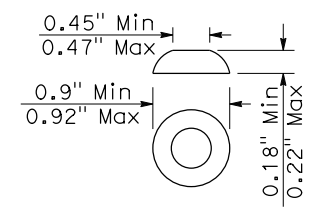
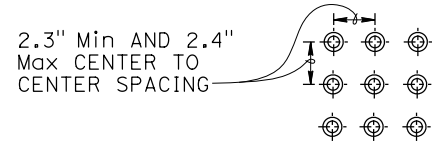


DIST	COUNTY	ROUTE	POST MILES TOTAL PROJECT	SHEET No.	TOTAL SHEETS
REGISTERED CIVIL ENGINEER			X	DATE	
PLANS APPROVAL DATE					
<small>THE STATE OF CALIFORNIA OR ITS OFFICERS OR AGENTS SHALL NOT BE RESPONSIBLE FOR THE ACCURACY OR COMPLETENESS OF SCANNED COPIES OF THIS PLAN SHEET.</small>					
<small>THE REGISTERED CIVIL ENGINEER FOR THE PROJECT IS RESPONSIBLE FOR THE SELECTION AND PROPER APPLICATION OF THE COMPONENT DESIGN AND ANY MODIFICATIONS SHOWN.</small>					



RAISED TRUNCATED DOME



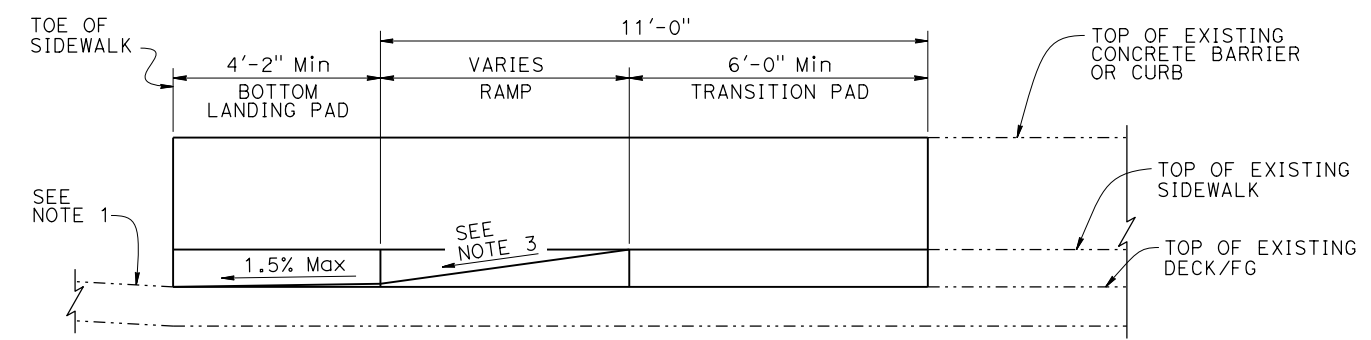
RAISED TRUNCATED DOME PATTERN (IN-LINE) DETECTABLE WARNING SURFACE

NOTES:

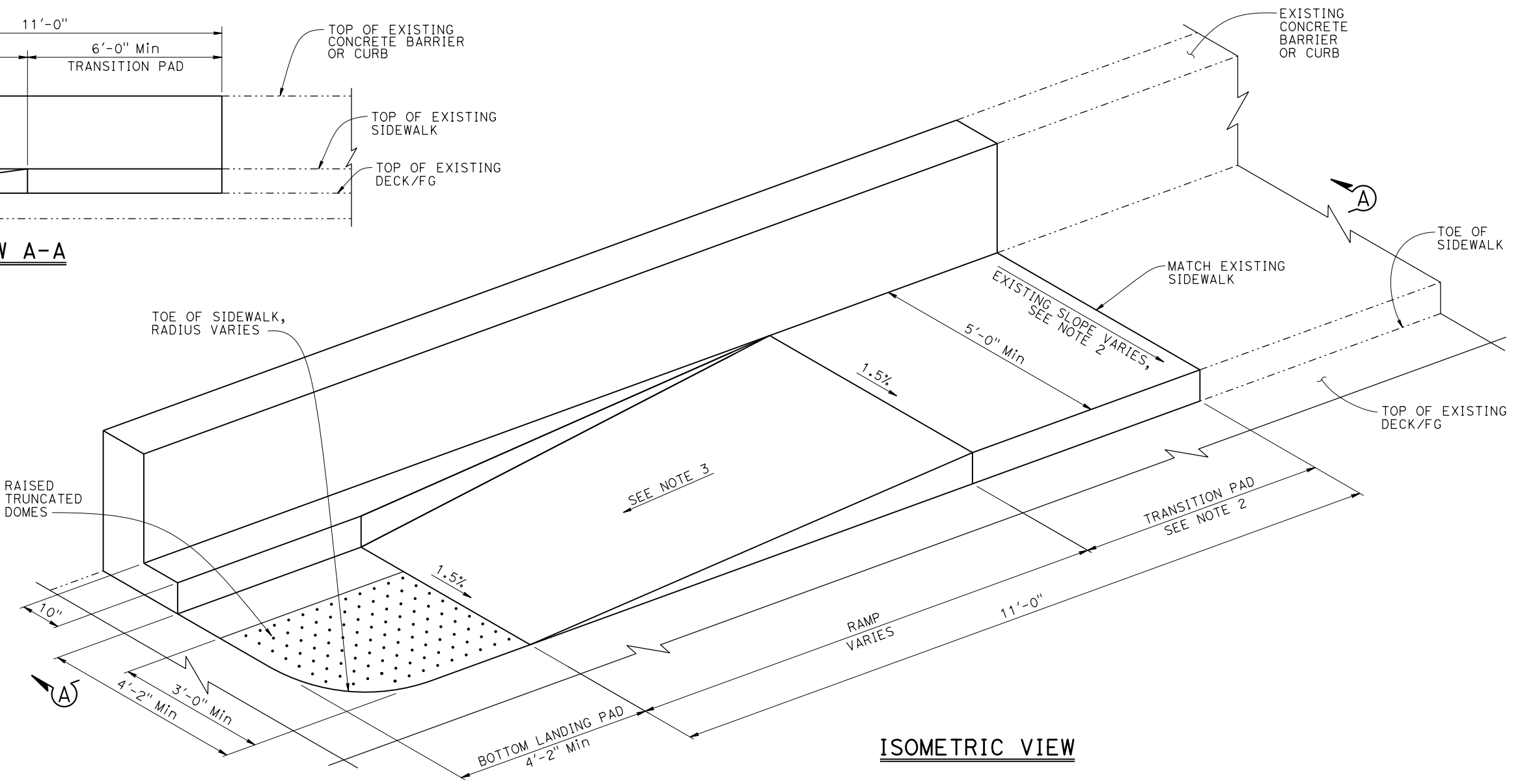
1. Counter slopes of adjoining gutters and road surfaces immediately adjacent to and within 2'-0" of the curb ramp must not be steeper than 1:20 (5.0%). Gutter pan slope must not exceed 1" of depth for each 2" of width.
2. Transition Pad is only needed when existing/new sidewalk cross slope is steeper than 1.5%. If Transition Pad is needed, then the Barrier Transition will start at the end of the Transition Pad and not at the end of ramp.
3. Curb Ramps must have a running slope not steeper than 7.5% maximum.
4. Transitions from ramps and landing to sidewalks, gutters or streets must be flush (no lip) and free of abrupt changes.
5. Curb Ramps must have a detectable warning surface that extends the full width and 3'-0" depth of the ramp. Detectable Warning Surfaces must conform to the details on this plan and the requirements in the Standard Specification.

LEGEND:

----- Existing Structure



VIEW A-A



ISOMETRIC VIEW

NO SCALE

BRIDGE STANDARD DETAILS		<small>The components of the Bridge Standard Details have been prepared under the responsible charge of the Technical Owner, a registered civil engineer in the State of California</small>	STATE OF CALIFORNIA DEPARTMENT OF TRANSPORTATION	DIVISION OF ENGINEERING SERVICES	BRIDGE No.	CURB RAMP CASE 1 DETAILS No. 1	
xs19-010-1	September 2023				XX-XXXX		
FILE NO.	APPROVAL DATE				POST MILE		
					X.X		
Refer to: http://www.dot.ca.gov/hq/esc/techpubs/manual/bridgemanuals/bridge-standard-detail-sheets/index.html		DATE PLOTTED => 21-SEP-2023	TIME PLOTTED => 14:58	ORIGINAL SCALE IN INCHES FOR REDUCED PLANS	UNIT: XXXX	COUNTY/ROUTE/ZONE: XXX/XXX/X	
		FILE => 201510-xs19-010-1.dgn	USERNAME => s136247	0 1 2 3	PROJECT NUMBER & PHASE: XXXXXXXXXX1	CONTRACT No.: XX-XXXXX4	
DISREGARD PRINTS BEARING EARLIER REVISION DATES						REVISION DATES	SHEET OF
							X X