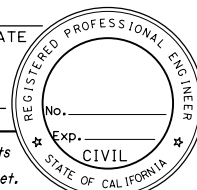
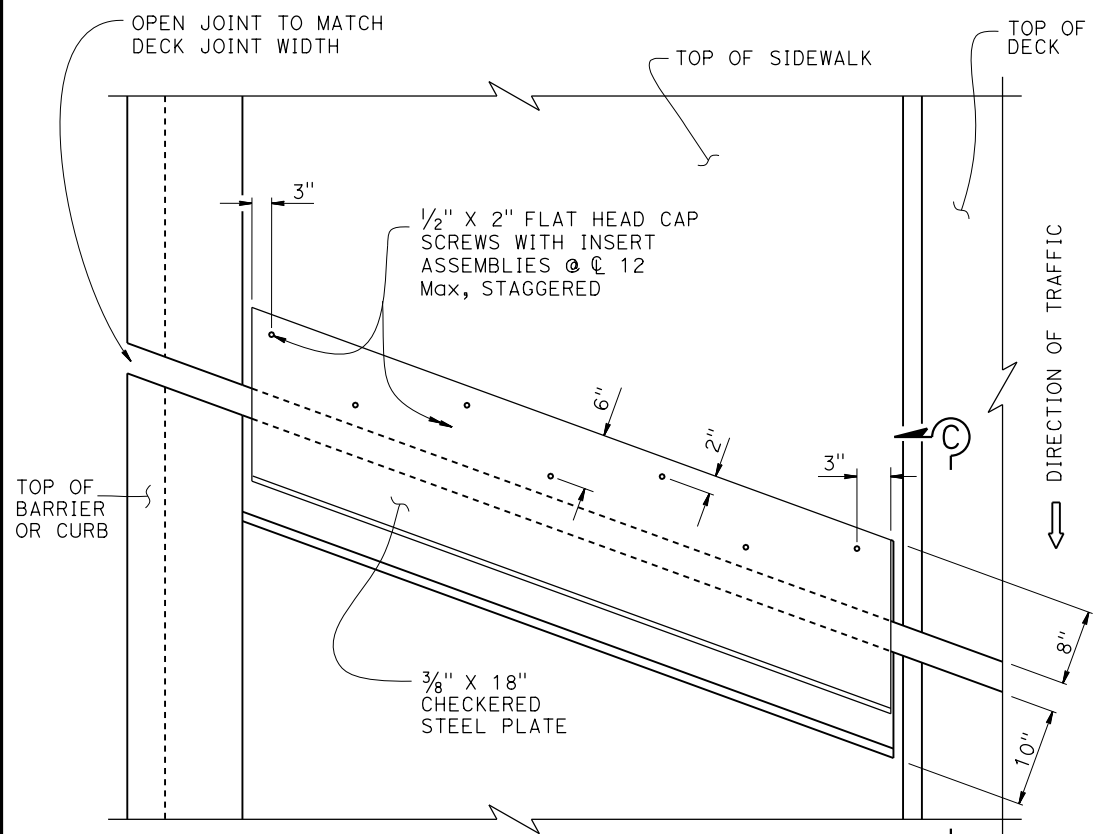
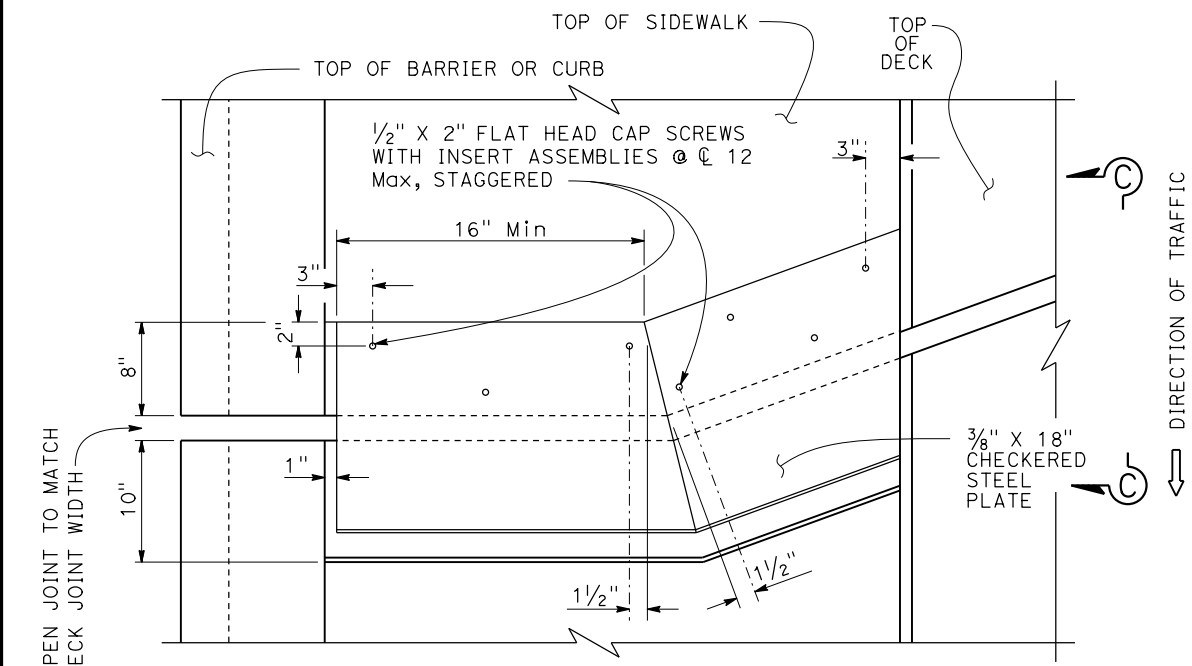


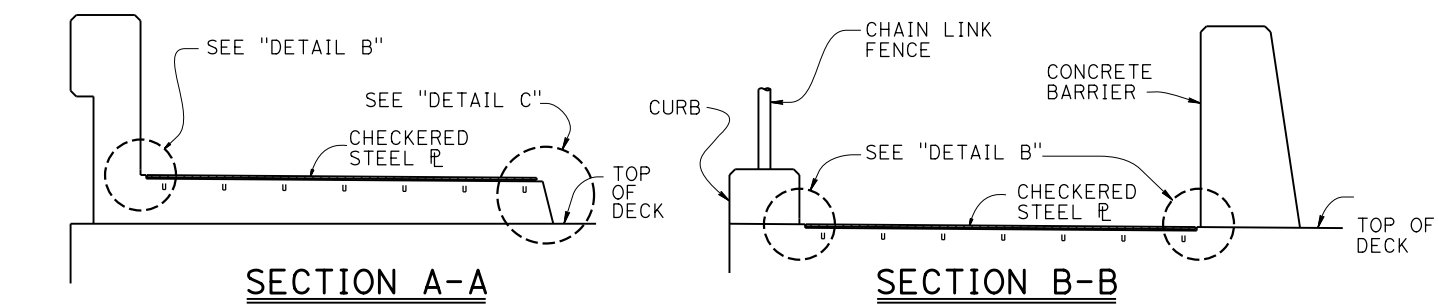
DIST	COUNTY	ROUTE	POST MILES TOTAL PROJECT	SHEET No.	TOTAL SHEETS
REGISTERED CIVIL ENGINEER			DATE		
PLANS APPROVAL DATE					
<small>The State of California or its officers or agents shall not be responsible for the accuracy or completeness of scanned copies of this plan sheet.</small>					
<small>The Registered Civil Engineer for the project is responsible for the selection and proper application of the component design and any modifications shown.</small>					



PLAN SKEW ≤ 20°

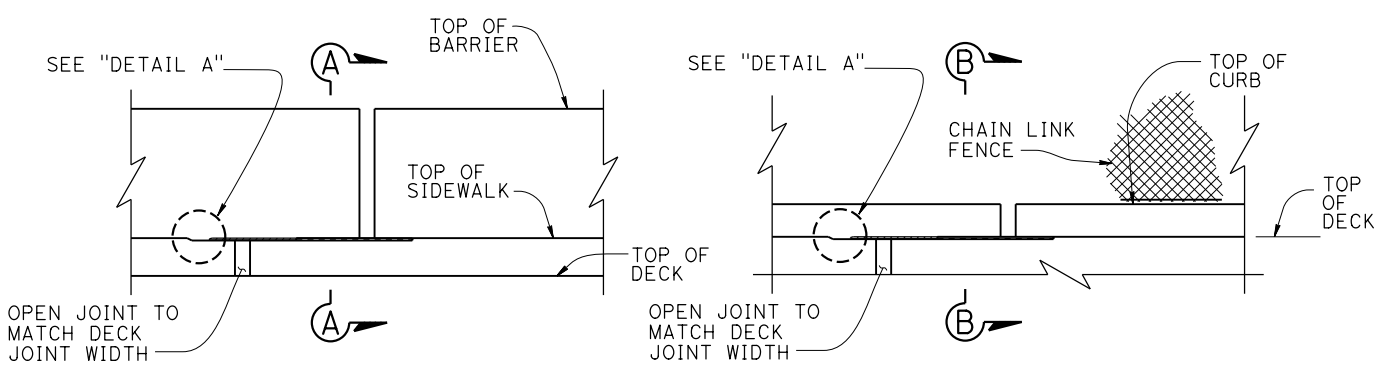


PLAN SKEW > 20°



SECTION A-A

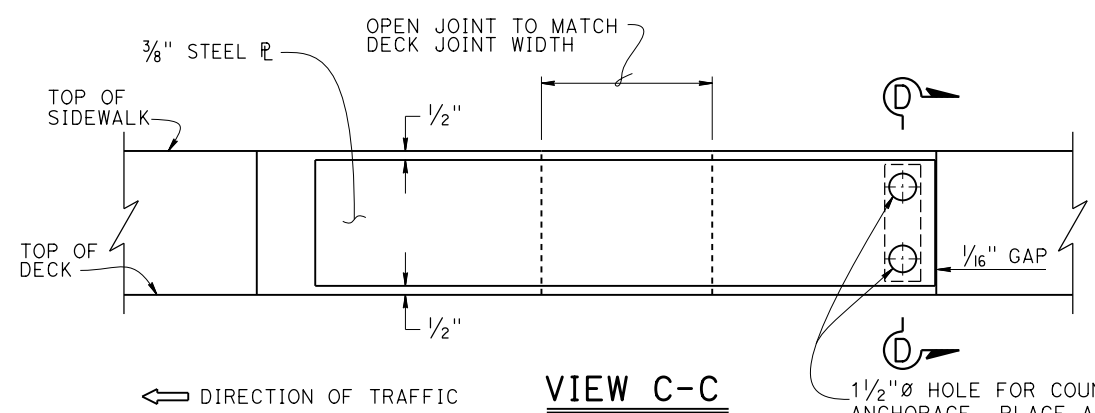
SECTION B-B



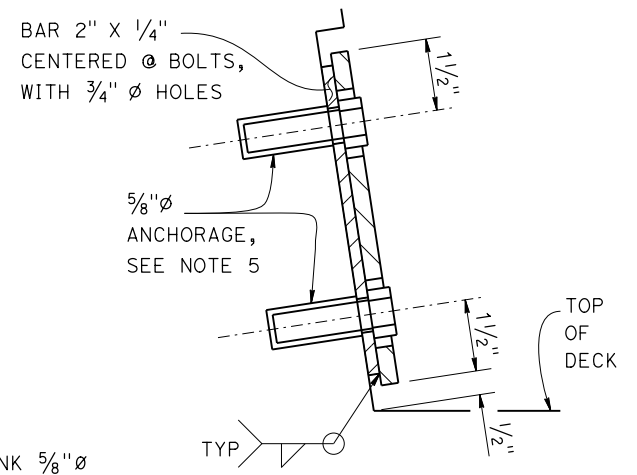
ELEVATION

ELEVATION

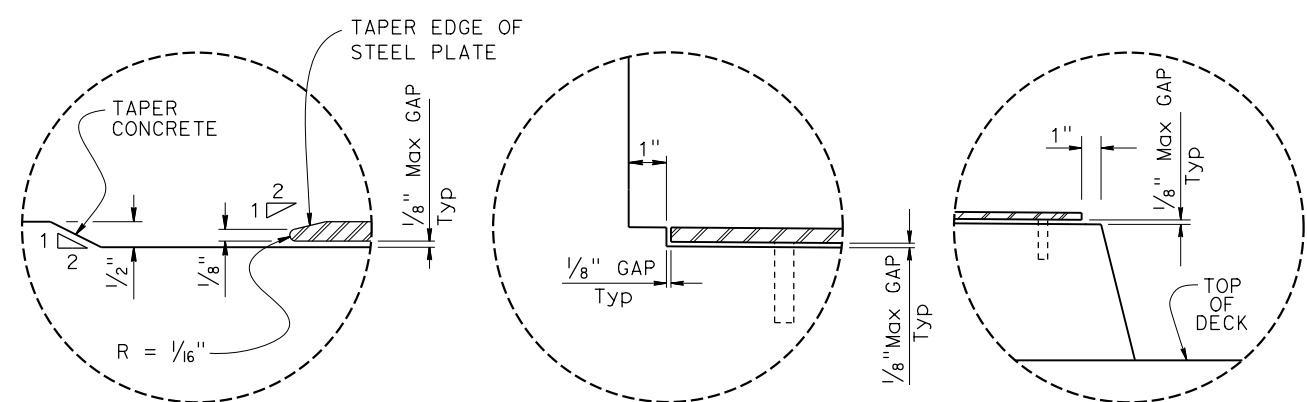
NOTE: Barrier not shown for clarity



VIEW C-C



SECTION D-D



DETAIL A

DETAIL B

DETAIL C

NO SCALE

BRIDGE STANDARD DETAILS xs8-050 <small>FILE NO.</small>		October 2018 <small>APPROVAL DATE</small>	<small>The components of the Bridge Standard Details have been prepared under the responsible charge of the Technical Owner, a registered civil engineer in the State of California.</small>	STATE OF CALIFORNIA DEPARTMENT OF TRANSPORTATION	DIVISION OF ENGINEERING SERVICES	BRIDGE NO. _____ POST MILE _____	X JOINT ARMOR FOR PEDESTRIAN WALKWAYS						
<small>Refer to: http://www.dot.ca.gov/hq/esc/techpubs/manual/bridgemanuals/bridge-standard-detail-sheets/index.html</small>	<small>FILE => xs8-050.dgn</small> <small>USERNAME => s114926</small>	<small>TIME PLOTTED => 15:21</small>	<small>DATE PLOTTED => 11-OCT-2018</small>	<small>ORIGINAL SCALE IN INCHES FOR REDUCED PLANS</small> 0 1 2 3	<small>UNIT: PROJECT NUMBER & PHASE:</small>	<small>CONTRACT NO.:</small>	<small>DISREGARD PRINTS BEARING EARLIER REVISION DATES</small> <table border="1"> <tr> <th>REVISION DATES</th> <th>SHEET</th> <th>OF</th> </tr> <tr> <td>7-29-14 9-11-18 10-2-18 8-28-18</td> <td>1</td> <td>1</td> </tr> </table>	REVISION DATES	SHEET	OF	7-29-14 9-11-18 10-2-18 8-28-18	1	1
REVISION DATES	SHEET	OF											
7-29-14 9-11-18 10-2-18 8-28-18	1	1											