

Dist	COUNTY	ROUTE	POST MILES TOTAL PROJECT	SHEET NO.	TOTAL SHEETS
DDDD	CCCC	RRRR	PPPP	????	####

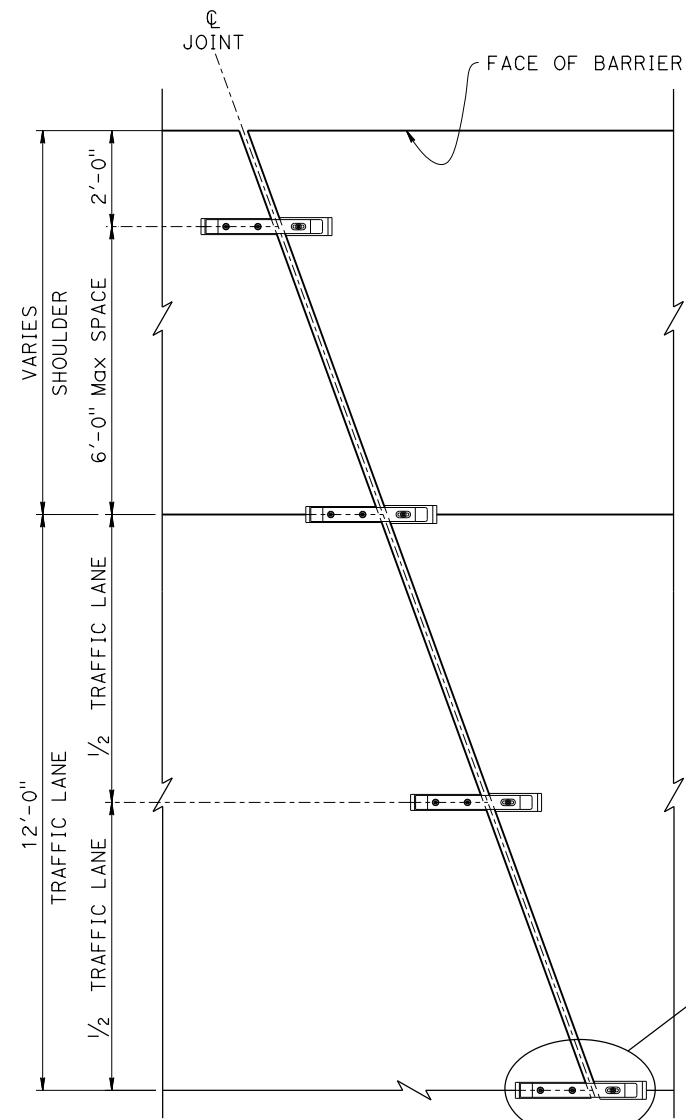
REGISTERED CIVIL ENGINEER	X
DATE	
MM/DD/YYYY	
PLANS APPROVAL DATE	

THE STATE OF CALIFORNIA OR ITS OFFICERS OR AGENTS SHALL NOT BE RESPONSIBLE FOR THE ACCURACY OR COMPLETENESS OF SCANNED COPIES OF THIS PLAN SHEET.

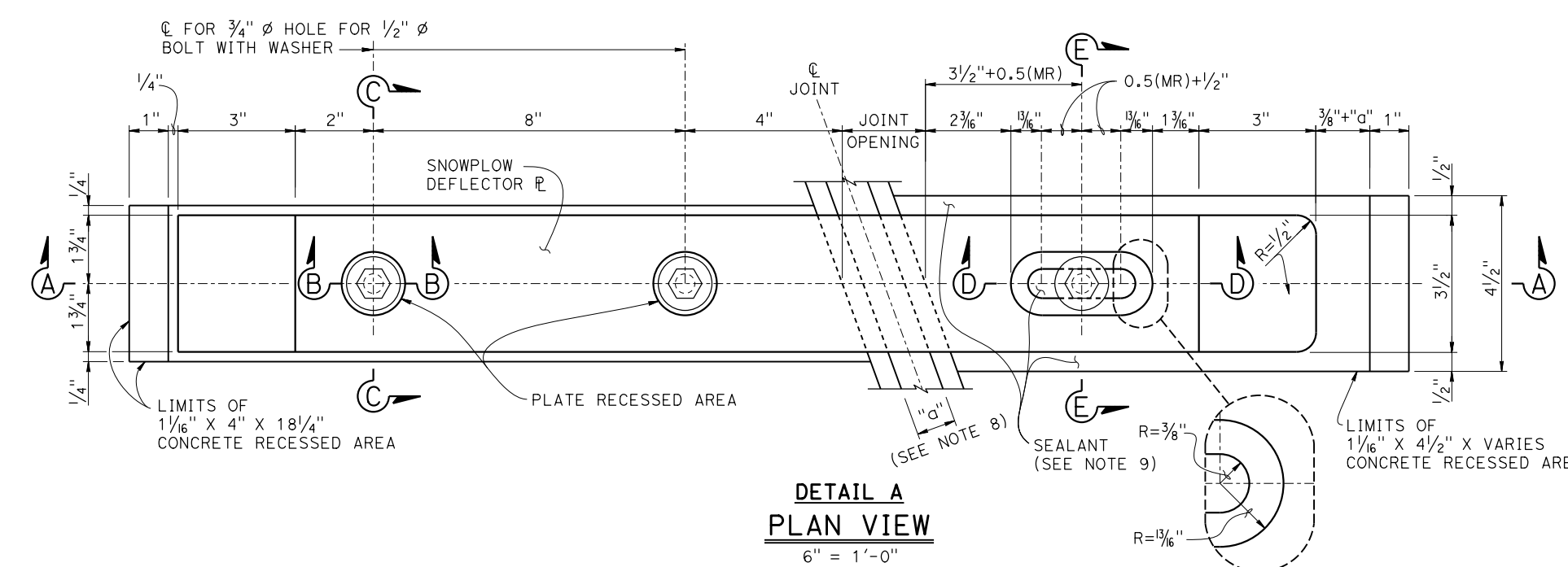
THE REGISTERED CIVIL ENGINEER FOR THE PROJECT IS RESPONSIBLE FOR THE SELECTION AND PROPER APPLICATION OF THE COMPONENT DESIGN AND ANY MODIFICATIONS SHOWN.

NOTES:

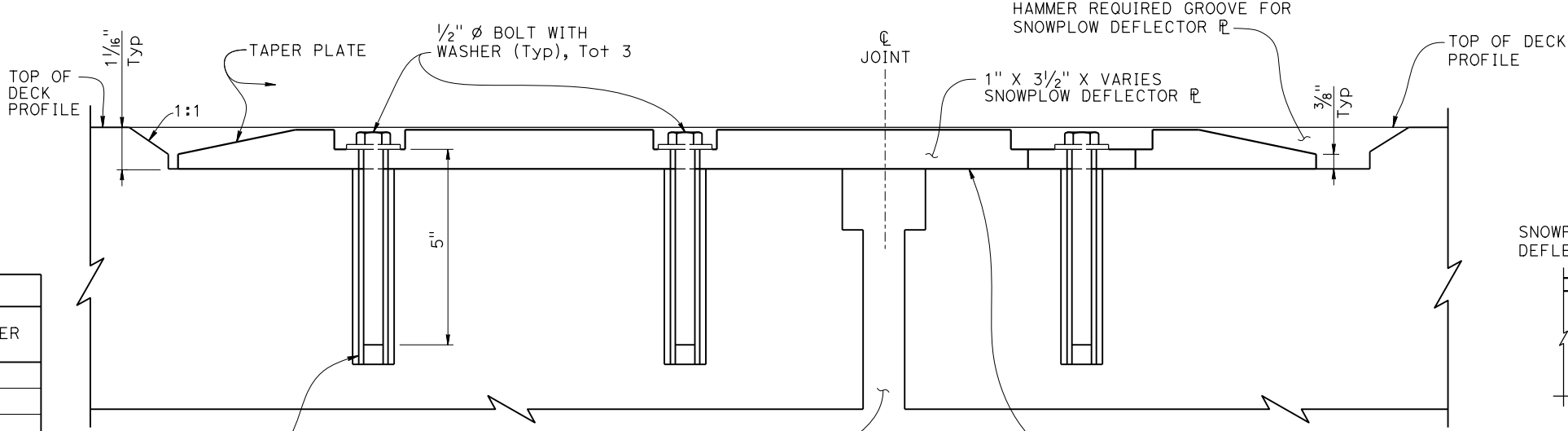
- Snowplow deflectors are used when the skew at joint location is greater than or equal to 10° and less than or equal to 30° or as directed by the Engineer
- For SECTIONS B-B, C-C, D-D and E-E see "SNOW PLOW DEFLECTOR DETAILS No. 2" sheet
- Thread locking system is used at all threaded areas
- Detail B also applies to bonded joints at locations with skew angles less than or equal to 20 degrees
- Detail C applies to bonded joints at locations with a skew angle greater than 20 degrees
- Adjust snow plow deflectors at curved alignments to avoid wheel lanes and surface rutting
- Snow Plow deflector plates shall be made of glass fiber reinforced acetal copolymer plates
- The "a" dimension is normal to the  $\phi$  of the joint
- The open space between the concrete recess area and the snowplow deflector, as well as the slotted hole area must be cleaned prior to being filled with silicone sealant



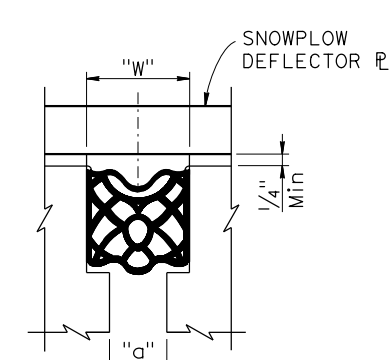
**PLAN**



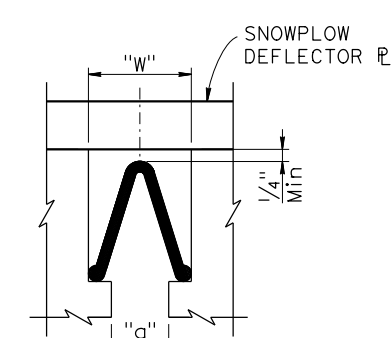
**DETAIL A  
PLAN VIEW**  
6" = 1'-0"



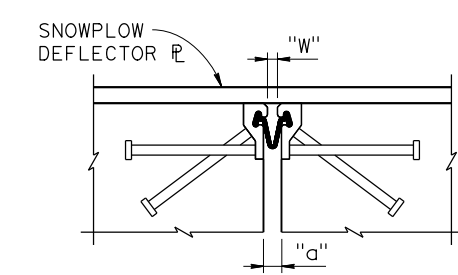
**SECTION A-A**  
6" = 1'-0"



**DETAIL B  
TYPE B JOINT SEAL**  
(SEE NOTE 4)



**DETAIL C  
BONDED JOINT SEAL**  
(SEE NOTE 5)



**DETAIL D  
STRIP JOINT SEAL**

JOINT INFORMATION			"a" DIMENSIONS		
LOCATION	MOVEMENT RANGE (MR)	SKEW	WINTER	SPRING & FALL	SUMMER

**BRIDGE STANDARD DETAILS**

**xs8-130-1** FILE NO.

October 2019 APPROVAL DATE

The components of the Bridge Standard Details have been prepared under the responsible charge of the Technical Owner, a registered civil engineer in the State of California

**STATE OF CALIFORNIA**  
DEPARTMENT OF TRANSPORTATION

**DIVISION OF ENGINEERING SERVICES**

**SNOWPLOW DEFLECTOR DETAILS No. 1**

BRIDGE No. X

POST MILE X