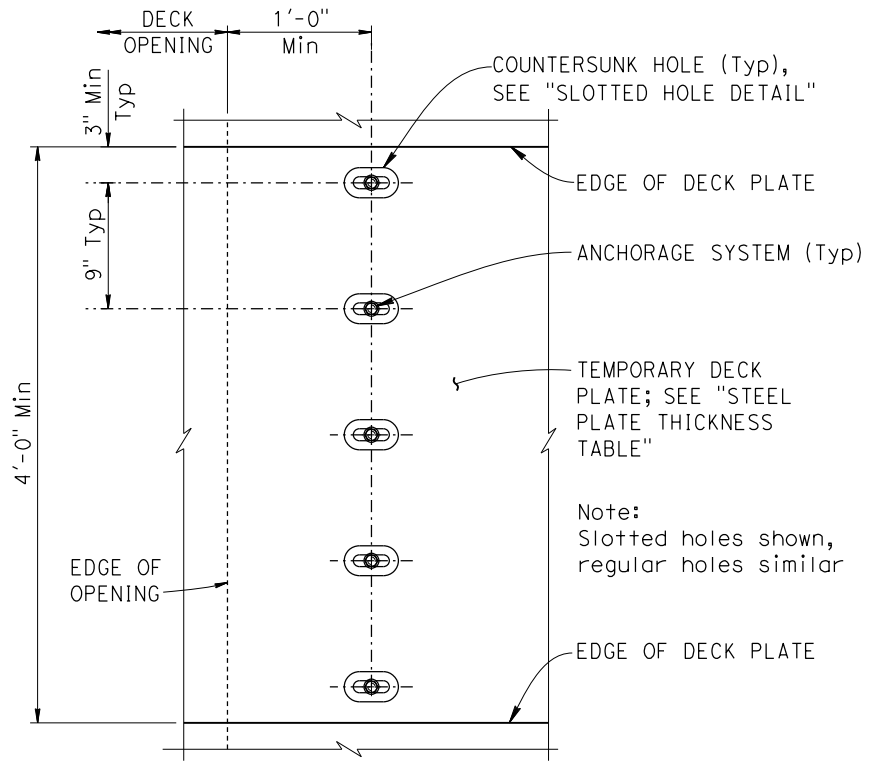


TEMPORARY DECK BRIDGING PLAN
NO SCALE

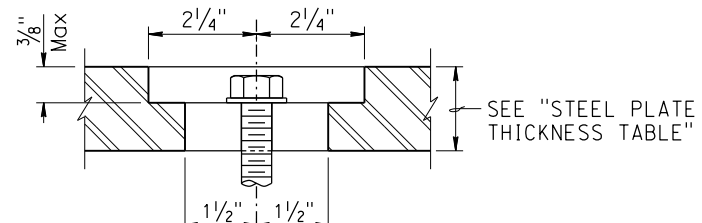


BOLT LAYOUT DETAIL
1/2" = 1'-0"

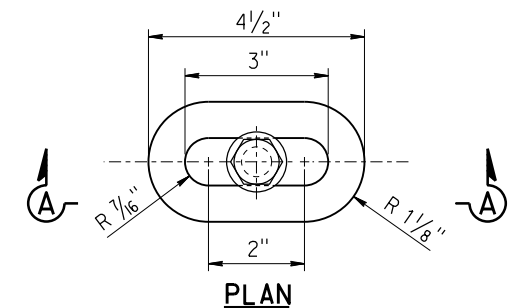
LEGEND: (APPLIES TO THIS SHEET ONLY)

Indicates limits of place temporary deck taper at approach and departure sides of temporary deck bridging.

STEEL PLATE THICKNESS TABLE	
SPAN (FEET)	MINIMUM PLATE THICKNESS (INCHES)
1 1/2	1
2	1
2 1/2	1
3	1
3 1/2	1
4	1 1/2
4 1/2	1 1/2
5	1 1/2



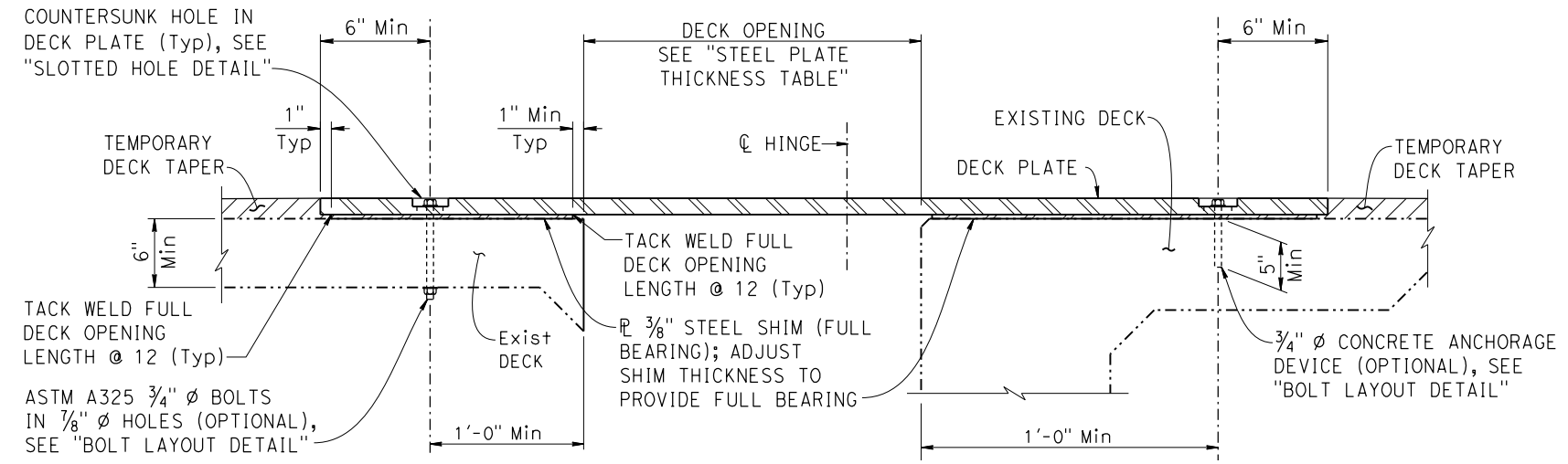
SECTION A-A



PLAN

Note: Countersink bolt holes with slotted holes to allow for thermal expansion at end of plate departure. Countersink details similar for regular holes.

SLOTTED HOLE DETAIL
6" = 1'-0"



TEMPORARY DECK PLATE CONNECTION
NO SCALE

NOTE:
THE CONTRACTOR SHALL VERIFY ALL CONTROLLING FIELD DIMENSIONS BEFORE ORDERING OR FABRICATING ANY MATERIAL.