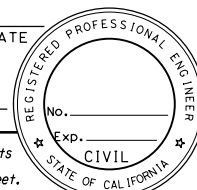
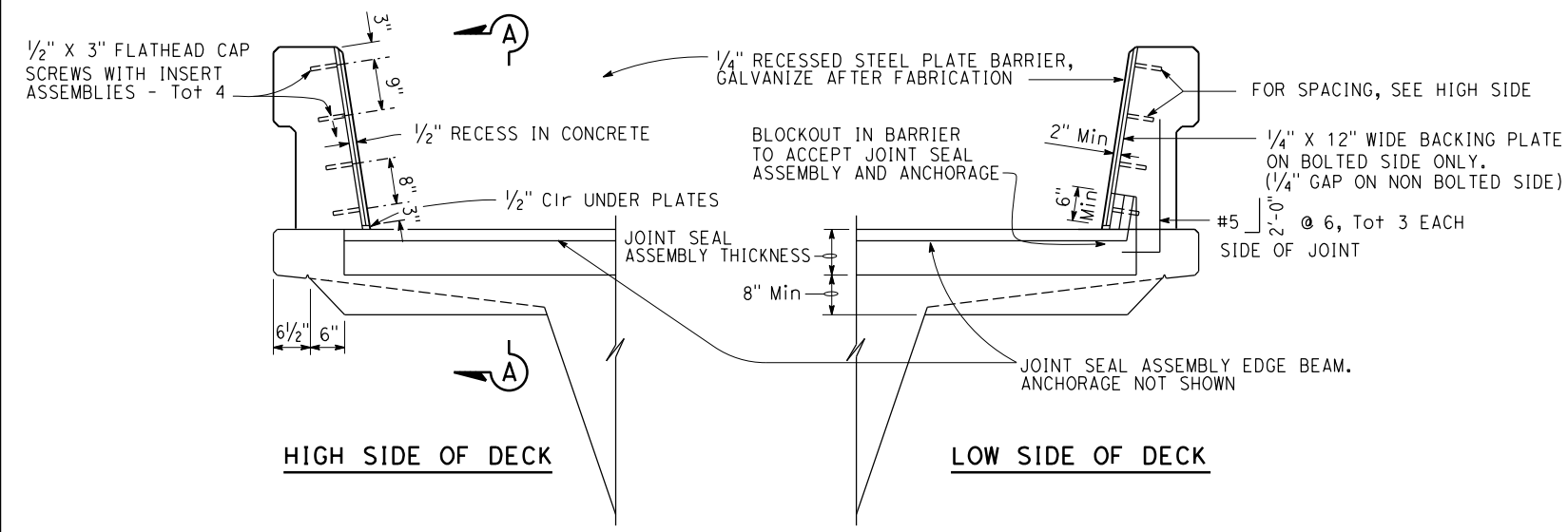


REGISTERED CIVIL ENGINEER DATE \_\_\_\_\_

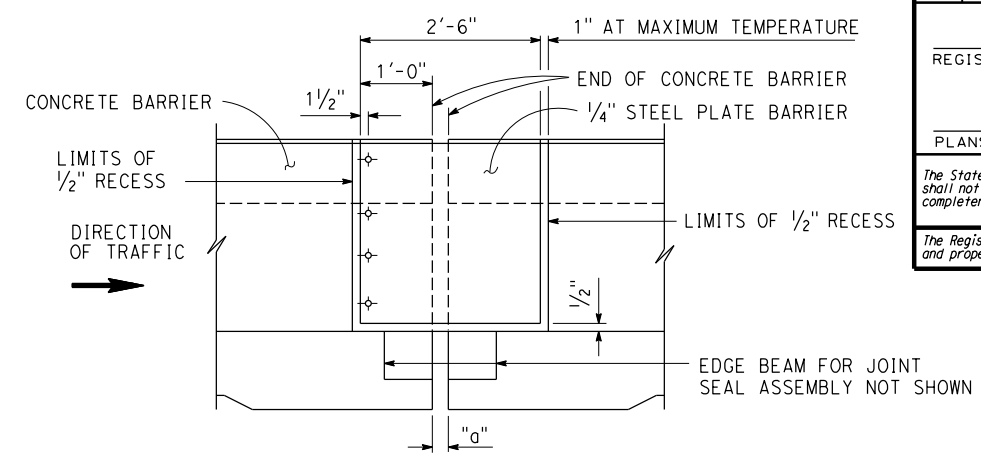
PLANS APPROVAL DATE \_\_\_\_\_

The State of California or its officers or agents shall not be responsible for the accuracy or completeness of scanned copies of this plan sheet.

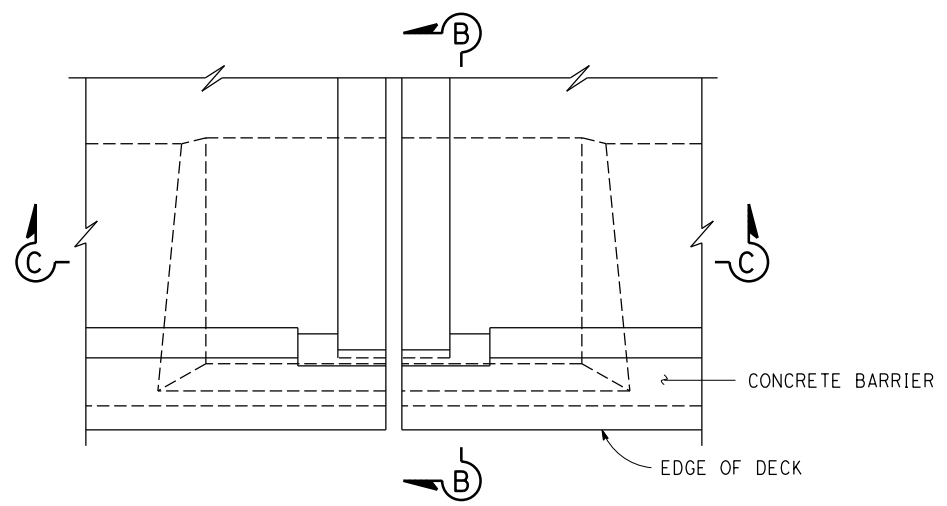
The Registered Civil Engineer for the project is responsible for the selection and proper application of the component design and any modifications shown.

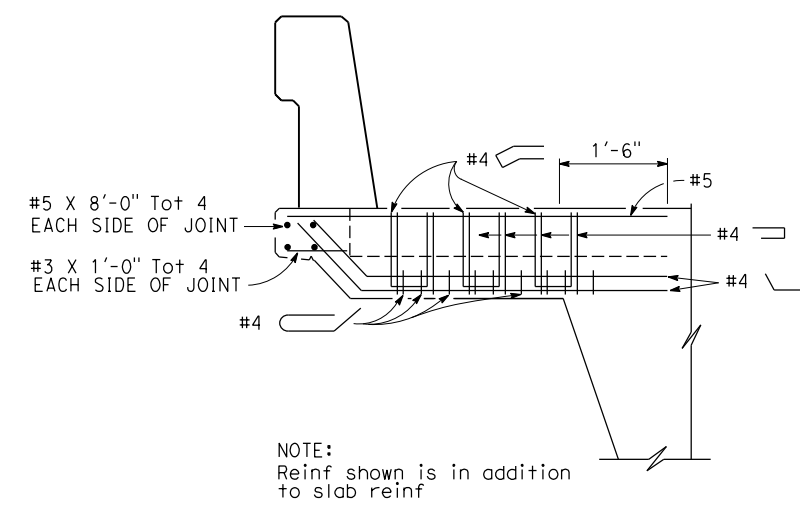
**SEAL INSTALLATION**  
3/4" = 1'-0"



**ELEVATION A-A**  
3/4" = 1'-0"



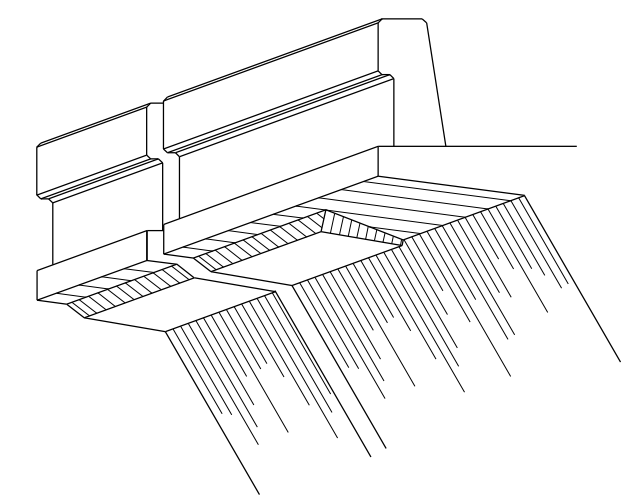
**PLAN - DECK JOINT**  
3/4" = 1'-0"



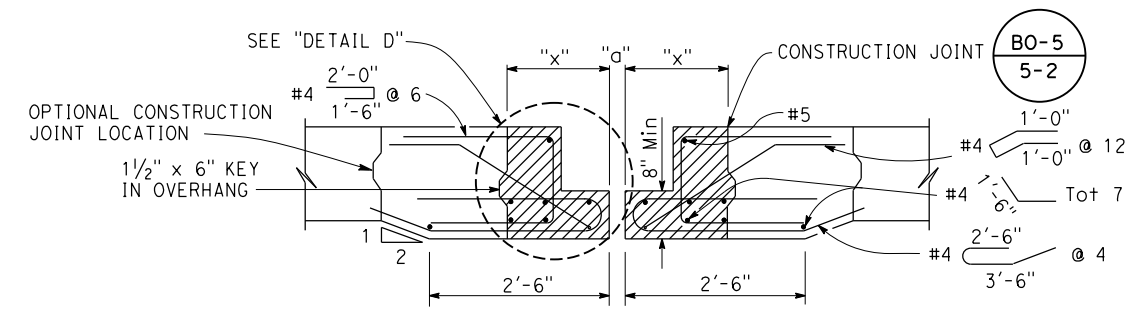
**SECTION B-B**  
3/4" = 1'-0"

JOINT INFORMATION		"a" DIMENSIONS			
LOCATION	MOVEMENT RATING (MR)	SKEW	WINTER	SPRING & FALL	SUMMER

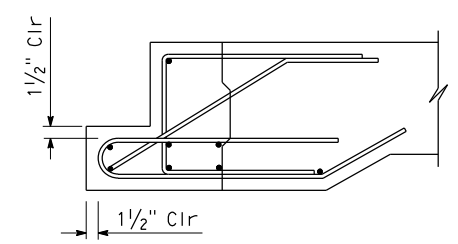
NOTE:  
For details not shown, see Project Plans



**DECK OVERHANG AT HINGE**  
NO SCALE



**SECTION C-C**  
3/4" = 1'-0"



**DETAIL D**  
1" = 1'-0"