

DEPARTMENT OF TRANSPORTATION
ENGINEERING SERVICE CENTER
Transportation Laboratory
P.O. Box 19128
Sacramento, California 95819



METHOD FOR INSTALLATION AND USE OF EMBANKMENT SETTLEMENT DEVICES

CAUTION: Prior to handling test materials, performing equipment setups, and/or conducting this method, testers are required to read **"SAFETY AND HEALTH"** in Part 4 of this method. It is the responsibility of the user of this method to consult and use departmental safety and health practices and determine the applicability of regulatory limitations before any testing is performed.

OVERVIEW

The installation, maintenance, and data collection procedures for the various embankment settlement devices used to monitor subsurface settlement are described in this method. Analysis of the settlement data is included as a separate part of this method.

Settlement devices are used to monitor the rate and magnitude of settlement occurring at a point within or beneath an embankment during and subsequent to construction. The data obtained from these devices are used to determine the allowable loading rate during embankment construction and the appropriate time for removal of surcharge and/or commencement of permanent structure construction.

This method is divided into the following parts:

1. Fluid Level Settlement Devices
2. Pipe Riser Settlement Device
3. Settlement Data Analysis
4. Safety and Health

The fluid level, vented standpipe unit may be used at most locations. A sealed standpipe unit must be installed at locations where

groundwater may interfere with the operation of the unit or where excess pore water is expected from the use of dredged material or wet soil in embankment construction. Where it is possible, the tube length between standpipe and indicator unit should generally be limited to a maximum of 100 m. Installations over longer distances can be made but are not advisable under normal circumstances, since it may result in inconsistent test data. Factors such as larger size tubes, change of platform location, or changes in elevation of the water line may have to be considered (see NOTE).

NOTE: There may be job conditions with respect to terrain, long tube length between standpipe and indicator unit, or anticipated large settlements that require special installations.

The pipe riser settlement device is used for monitoring fill settlement over soft foundation soils where the fluid level settlement devices are not feasible because of flat terrain, width of embankment construction, or other features which would make installation of a fluid level type of settlement platform undesirable. The pipe riser settlement device is a direct-reading unit which is exposed for the full duration of fill construction and surcharge removal. Because of the vulnerability of this unit to damage by the contractor's operations, the

pipe riser settlement device should be used only on those projects where the fluid level type of settlement device would be impractical.

PART 1. FLUID LEVEL SETTLEMENT DEVICES

SECTION 1 - VENTED STANDPIPE UNIT

A. APPARATUS

1. Vented standpipe unit (Figure 1)
2. Indicator unit (Figure 2)
3. Polyethylene tubing, 10-mm inside diameter
4. Hand tools - shovel, bar, posthold auger, hammer, adjustable wrenches, etc.
5. Water container (approximately 4-L capacity)

B. INSTALLATION

1. Select a location for the standpipe unit on the ground after approximately 0.3 m of fill has been placed above original ground and generally within the area where the maximum height of embankment will be placed. See Figure 4.
2. Select a point outside of the toe of the proposed embankment for the indicator unit. See Figure 4. Select this location so that sufficient vertical distance will be available for lowering the indicator unit as the standpipe unit settles. A hand level may be used to estimate the desired elevations for the indicator unit.
3. Because of terrain, excessive anticipated settlement, or other causes, it may be necessary to place the standpipe unit in the embankment at varying elevations above the original ground. In these cases, record the vertical distance between the base of the standpipe unit and original ground to allow proper consideration for embankment compression in the settlement analysis.

4. After embankment has been placed 1.0 to 1.5 m above the desired elevation for the standpipe unit, prepare a pit and trench in the embankment for the standpipe unit and tubing. See Figure 4. The bottom of the pit should normally be about 0.3 m above original ground. The trench should be cut to the same depth at the pit and should have a slight downward slope to the indicator unit location. Make sure that the trench is clear of any future construction, such as pile driving, ripping, ditching, etc.
5. Upon completion of the excavation, remove all rocks and large clods from the trench. Prepare a smooth, level area in the pit using fine embankment material.
6. Assemble the standpipe unit as shown in Figure 1. *Do not attach the pipe cap.* Firmly seat the standpipe unit on a prepared level area.
7. Install the indicator unit post at the previously selected point for the indicator unit. This post can be either a metal sign post or 4-by-4.
8. Using a hand level, attach the indicator unit to the post so that the 0.7-m graduation on the indicator unit scale is approximately level with the top of the spill tube on the standpipe unit.
9. Push the 10-mm water line through the metal tube conduit in the center of the vented standpipe unit until the end is approximately 5 mm above the top. Push the 10-mm air vent line through the other conduit until approximately 20 mm extends out the top. See Figure 1.
10. Unroll the water and air vent lines loosely in the trench from the standpipe to the indicator unit. It might be desirable to encase both lines in 19-mm flexible metal conduit for additional protection under rocky material.
11. Cut and attach the water and air lines to the indicator unit as shown in Figures 2 and 3. Then fill the system by pouring

water in the sight tube of the indicator unit (Figure 2) until water comes out of the top of the spill tube of the standpipe unit with no air bubbles showing in the line. Generally, 4 L of water is more than adequate for 100 m of tubing. When filling, attempt to keep the water level in the sight tube near the 0.7-m graduation. Do not allow the water level to drop below the bottom of the sight tube since this would allow air to enter the system.

NOTE: It is helpful if someone can watch the overflow at the standpipe unit while the system is being filled to look for evidence of entrapped air and to signal when the system is full.

If there is evidence of air bubbles entrapped in the water line, continue charging the system with water until the air is purged through the standpipe unit. After charging the system with water and purging the water line of all air, attach the indicator unit on the post to provide an initial reading of approximately 0.7 m.

Adjacent to the bottom of the indicator unit, place a reference nail in the post at the elevation of the 0.0-m graduation. This provides a reference point for surveys and relocation of the indicator unit. Complete the assembly of the standpipe unit by attaching the pipe cap as shown in Figure 1.

12. Cut the air line at approximately the 0.7-m graduation of the indicator unit. Then loop the air line inside of the indicator unit over the lock hasp. See Figure 2. The end of the air line should be pointing downward to prevent the entrance of water or debris. This air line must be free of water at all times since it serves to equalize atmospheric pressure at the standpipe unit and the indicator unit.

During cold weather when the air line is too stiff to be looped, cut the air line at the 0.3-m graduation mark. Then insert

the end of a 0.3-m length of 6-mm plastic tubing in the end of the air line and loop the smaller tubing inside the indicator unit.

13. Carefully backfill the trench and pit with material that is free from large rocks or sharp objects and compact by hand for a depth of at least 0.3 m. Special care must be taken around the base of the standpipe unit to prevent separating the base plate from the plywood platform and to prevent breaking or distorting the plastic tubing.
14. After hand backfilling and compacting for a depth of 0.3 m has been completed, mechanical methods may be used to finish the backfilling operation until the trench is level with the existing fill height. In those cases when the standpipe unit extends above the existing fill height, attach a marker post to the unit and mound fill material around it until it is completely covered. In no case should compaction equipment be allowed directly over an installation until a minimum of 0.3 m of compacted material has been placed over the standpipe unit.

SECTION 2 - SEALED STANDPIPE UNIT

A. APPARATUS

1. Sealed standpipe unit (Figure 5)
2. Plastic drain tubing, 13-mm inside diameter
3. Vented standpipe unit (as described in Part 1, Section 1-A)

B. INSTALLATION

Installation is similar to that for the vented standpipe unit with the following exceptions:

1. Install the device as shown in Figure 6.
2. Follow the procedure in Part 1, Sections B-1 through B-5.

3. Assemble the standpipe unit as shown in Figure 5. Do not attach the outer galvanized pipe. Firmly seat the standpipe unit on the prepared area in the pit.
 4. Follow the procedure in Part 1, Sections B-7 and B-8.
 5. Attach the 10-mm water tube to the baseplate as shown in Figure 5.
 6. Unroll the water, air vent, and drain tubes loosely in the trench from the standpipe to the indicator unit.
 7. Follow the procedure in Part 1, Sections B-10 and B-11.
 8. Complete the assembly of the sealed standpipe unit by attaching the outer galvanized pipe, other fittings, air vent, and drain tubes.

NOTE: It may be desirable in some cases to fill around the sealed units with sand so that the tubes will be supported at their attachment points.
 9. Cut the drain tube near the base of the indicator unit post. Position the drain tube so that water flows out freely and intrusion of soil or debris is prevented.
 10. Follow the procedure in Part 1, Sections B-13 and B-14.
- b. Pour sufficient water in the sight tube to raise the water level approximately 50 mm.
 - c. Take a reading at 1 h. The water level after adding the water should drop to the first reading or slightly above it.
 - d. If little or no change is observed in the water level, or if the water level is below the 0.01-m graduation, refer to Part 2, Section 3.
3. Record the data as indicated in Figure 7. The form is normally used to record chronological data from a single settlement unit installed to monitor settlement. Instructions in filling out the form follow:
 - a. Settlement Data Report (Figure 7)

Column 1 - Enter the date of the reading.

Column 2 - Record the water level reading from the graduated scale on the indicator unit (after adding water, as indicated above).

Column 3 - Record the latest elevation of either the 0.0-m graduation on the indicator unit, or the nail reference as determined by the survey.

Columns 4 and 5 - These columns are not used.

Column 6 - Enter the changes in water level elevation and reference elevation since the last reading. This is the sum of the differences between the current and immediately previous entries in Columns 2 and 3.

Column 7 - Enter the total settlement as *minus* the elevation change since installation. This is obtained by changing the sign of the current data in Column 6 and adding this value to the previous entry in Column 7.

SECTION 3 - POST-INSTALLATION PROCEDURES

A. COLLECTION OF DATA

1. As soon as possible after the settlement device has been installed, determine the elevation of the reference to ± 2 mm by survey. This elevation should be checked periodically to correct settlement readings for settlement of indicator unit.
2. Settlement Readings
 - a. Note the height of water in the sight tube.

Column 8 - Enter the height of the fill at the surface as determined by survey (optional).

Column 9 - Enter the height of fill above original ground to the nearest 0.1 m.

Column 10 - Enter the number of calendar days elapsed since the settlement device was installed.

Column 11 - Enter any information that would be helpful in the analysis of data as shown. If it is necessary to lower the indicator unit on the post, enter the date and the vertical distance lowered; be sure to include the corrected values in Columns 2, 3, and 6.

B. MAINTENANCE

1. Most important to the continued functioning of fluid level settlement devices is the use of as little water as necessary when recharging the system before reading. For this reason, use only enough water to raise the level in the sight tube approximately 50 mm. Continuous additions of greater quantities of water will probably cause flooding of the standpipe unit.
2. If the water level in the sight tube does not drop after adding water, check the unit over a period of several days. Do not, however, add an excessive amount of water; just observe the system to see if the unit is slow to respond.
 - a. If the unit is not operating properly, remove the indicator box from the post and raise it up about 0.3 m. Disconnect the water line from the sight tube and attach the line upright on the post. Inspect the bottom of the sight tube and connector for debris. Remove any obstructions and reassemble the unit without losing water from the water line. After assembly, lower the indicator unit until water is observed in the sight tube, then recharge the system with clean water as necessary.
3. If the water level in the sight tube is below the 0.01-m graduation or if there is no water in the sight tube, look for leaks around the connection between the sight tube and the water line. If no leak is seen, measure the vertical difference between the 0.0-mm graduation on the indicator unit and the reference point. Remove the unit from the post and lower it approximately 0.5 m or until water is observed in the sight tube. If possible, and without adding water, adjust the height of the indicator unit on the post so that the water level in the sight tube is approximately at the 0.7-m graduation.
 - b. If the device is still not operating satisfactorily and the sealed standpipe unit is being used, plug the top of the sight tube and attempt to force compressed air through the air line and out the drain line. Do not use greater air pressure than necessary to obtain a small flow through the lines. Do not allow the water in the sight tube to overflow. Keep the top of the sight tube sealed during this operation.
 - c. If all other attempts to correct the malfunction fail, disconnect and drain the water line. Then apply compressed air at low pressure to the air line in an attempt to remove debris from the water line. If the sealed standpipe unit is used, plug the drain line during this operation. Occasionally, force air through the water line to clear the lines if no return is observed when pressurizing the air line. If successful in clearing obstructions from the water line in this manner, considerable care is required while recharging the system with water to not use too much water and to not introduce large voids in the system. For this reason, recharging the unit should be performed only by personnel experienced in this type of activity.

Add a small quantity of water and check the water level before attaching the indicator unit to the post. After adjusting the height of the indicator unit, again measure the vertical distance between the 0.0-m graduation on the indicator unit and the reference point, and record the correction on the settlement data form (Figure 7, Column 3).

4. Be sure to replace the cover on the indicator unit after each reading to prevent excessive loss by evaporation and contamination by debris.
5. Occasionally, it may be necessary to protect the air and water lines from rodents or pests. If such a problem exists, protect these lines in flexible conduit extending from the bottom of the indicator unit to below the ground surface. Although this should be done during installation, the conduit can be added later if extreme care is taken not to lose water continuity as described above.

PART 2. PIPE RISER SETTLEMENT DEVICE

A. APPARATUS

1. Pipe riser settlement device (Figure 8)
2. Hand tools - shovel, bar, hammer, pipe wrenches, etc.

B. INSTALLATION

1. It will usually be necessary to determine the location for installing the settlement device by survey. If settlement readings are to be continued after completion of the fill and removal of surcharge, it is imperative that the unit be located directly beneath the median of divided travel lanes or the shoulder of other roadways.
2. After approximately 1 m of embankment material has been placed, excavate a pit to a depth of approximately 0.5 m above original ground at the previously determined location for the settlement

device. Prepare a firm, level area free of large rocks or clods for the settlement device at the bottom of the pit.

3. Assemble the settlement device as shown in Figure 8. Attach a 19-mm pipe floor flange to the center of the wood platform with bolts or lag screws. Then screw a 1.8 m length of 19-mm pipe into the floor flange. Place a pipe coupling on the top of the 19-mm pipe and tighten all joints in the assembly using a pipe wrench.
4. Measure and record the distance from the top of the pipe coupling to the top of the wood platform. Then slip the 38 mm by 1.5-m protective sleeve, which may be either rigid polyvinyl chloride (PVC) or iron pipe, over the control pipe until it is about 0.5 m above the floor flange. Place a duct seal or other seal to hold the protective sleeve in place. See Figure 8. Do not attach the protective sleeve to the wood platform or the control pipe. This protective sleeve is used to absorb the friction between the fill material and the settlement unit and, therefore, must be free to move independently from the wood platform and control pipe.
5. Firmly seat the settlement device on the prepared area in the bottom of the pit. Then fill and compact by hand using fine embankment material free of large rocks and clods around the settlement device to a depth of 0.3 m.
6. Using a spirit level, check to make sure the control pipe is reasonably plumb, then carefully fill the pit with embankment material and compact in place.
7. Attach a post to the top of the protective sleeve to alert construction equipment operators of the obstruction.

NOTE: It has been found that a 1.8-m long 2-by-4 painted with alternate 0.3 m wide stripes of red and white is satisfactory for this use. It is recommended that flagging be attached to the top of this post. The post should be

attached so that it can be easily removed and reattached as additional pipe is added during embankment construction.

C. COLLECTION OF DATA

1. As soon as possible after the settlement device has been installed, determine the elevation of the top of the 19-mm pipe coupling attached to the control pipe. Normally, the elevations required will be obtained by a survey party.
2. During embankment construction, the elevation of the top of the control pipe should be determined by survey approximately twice weekly. After embankment construction is completed, the elevation should be determined frequently enough to indicate significant changes in the rate of settlement. Normally, the time between surveys will be weekly immediately subsequent to completion of the embankment, and the interval between surveys will increase with time.
3. During fill placement, it will be necessary to extend the lengths of the control pipe and protective sleeve. When extending the control pipe, use the following procedure:
 - a. Determine the elevation to the top of the existing control pipe coupling.
 - b. Remove the protective post, attach a coupling to the length of control pipe to be added, and tighten the joint with pipe wrenches.
 - c. Insert the added length in the coupling on top of the existing control pipe and tighten the joint by using one pipe wrench on the existing coupling and one pipe wrench on the added length of control pipe. While tightening the joint, do not allow the coupling between the control pipe and the added length to turn. Turn only the added length of control pipe.
 - d. Measure the added length of control pipe, including the coupling. If possible, check this distance by determining the elevation of the control pipe.
 - e. Record the length of additional control pipe added under Column 5 on the form shown in Figure 9. Be sure to add this length to the previous value shown in Column 4.
 - f. Add and secure a 1.5-m length of protective sleeve to the existing sleeve and secure to the top of the post.
4. Enter all data on the form shown in Figure 9 as follows:

Column 1 - Record the reading date.

Column 2 - This column is not used.

Column 3 - This column is not used.

Column 4 - Record the elevation to top of control pipe as determined by survey.

Column 5 - Record the length of the control pipe.

Column 6 - Record the height of the riser above the original ground (Column 4 minus Column 5).

Column 7 - Record the total settlement to the nearest 0.002 m. This figure is obtained by subtracting the figure in Column 6 for the day being read from the figure at the top of Column 6 (elevation at the time of installation).

Column 8 - Record the elevation of the surface of the fill as determined by survey (that is optional).

Column 9 - Record the height of the fill above original ground to the nearest 0.1 m.

Column 10 - Record the number of calendar days elapsed since the settlement device was installed.

Column 11 - Record any information that would be helpful in the analysis of data. Be sure to indicate in this column the date and length added to the control pipe.

PART 3. SETTLEMENT DATA ANALYSIS SCOPE

The procedure for plotting and analyzing settlement data obtained from all types of settlement devices is described in this method. Comprehensive settlement analyses are complex and require extensive knowledge of soil mechanics and soil structure of the area under study. Considerable information, however, can be obtained by the simplified method described in this part.

1. Plot the data on a semi-logarithmic chart as shown in Figure 10. Note that the scale for days is on the logarithmic abscissa of the chart and both settlement and fill height are scaled arithmetically on the ordinate.
2. Note that during construction, the rate of settlement increases in approximate proportion to the fill load applied. This is generally true in all cases where the rate of loading embankment is nearly constant. If embankment construction is suspended for an appreciable length of time, the negative slope indicating rate of settlement should become more positive or flatter until embankment construction resumes. In no case, however, should the rate of settlement curve assume a positive slope.
 - a. A sudden increase in the rate of settlement during construction is an indication of impending failure and would dictate that fill loading be stopped immediately.
 - b. If the rate of settlement remains excessive after suspending fill operations, additional corrective

measures must be taken to reduce the rate of settlement.

NOTE: This may include removing a portion of the embankment or constructing berms or struts. Such measures usually require a comprehensive analysis and, for that reason, the problem must be brought to the attention of the Project Engineer without delay.

3. After embankment construction has been completed, the rate of settlement will decrease with time, especially for soft foundation soils. However, a marked decrease in the rate of settlement may be noticed until an appreciable amount of time has elapsed since completion of the embankment.
 - a. Any significant increase in the rate of settlement after completion of the embankment is sufficient cause for immediate corrective action as described above.
 - b. When the plotted data indicate that the slope of the rate of settlement curve is essentially horizontal, the embankment surcharge may be removed and/or permanent structure construction may be started. For example, from data shown in Figure 10, a practical minimal rate of settlement was obtained at about 360 days; at this time the embankment surcharge was removed as shown.
4. Data should be collected throughout the life of the contract. Longer data-collection periods are necessary if significant rates of settlement are measured.
 - a. The time interval between readings may be increased as the indicated rate of movement decreases.
 - b. Collection of data may be required for several years on selected projects. Long-term settlement data are

frequently useful in the design of embankments where similar conditions are encountered.

A, Section 5.0, Part B, Sections 5.0, 6.0 and 10.0 and Part C, Section 1.0 of Caltrans Laboratory Safety Manual. Users of this method do so at their own risk.

PART 4. SAFETY AND HEALTH

Prior to handling, testing or disposing of any waste materials, testers are required to read: Part

REFERENCES:

None

End of Text (California Test 112 contains 19 pages)

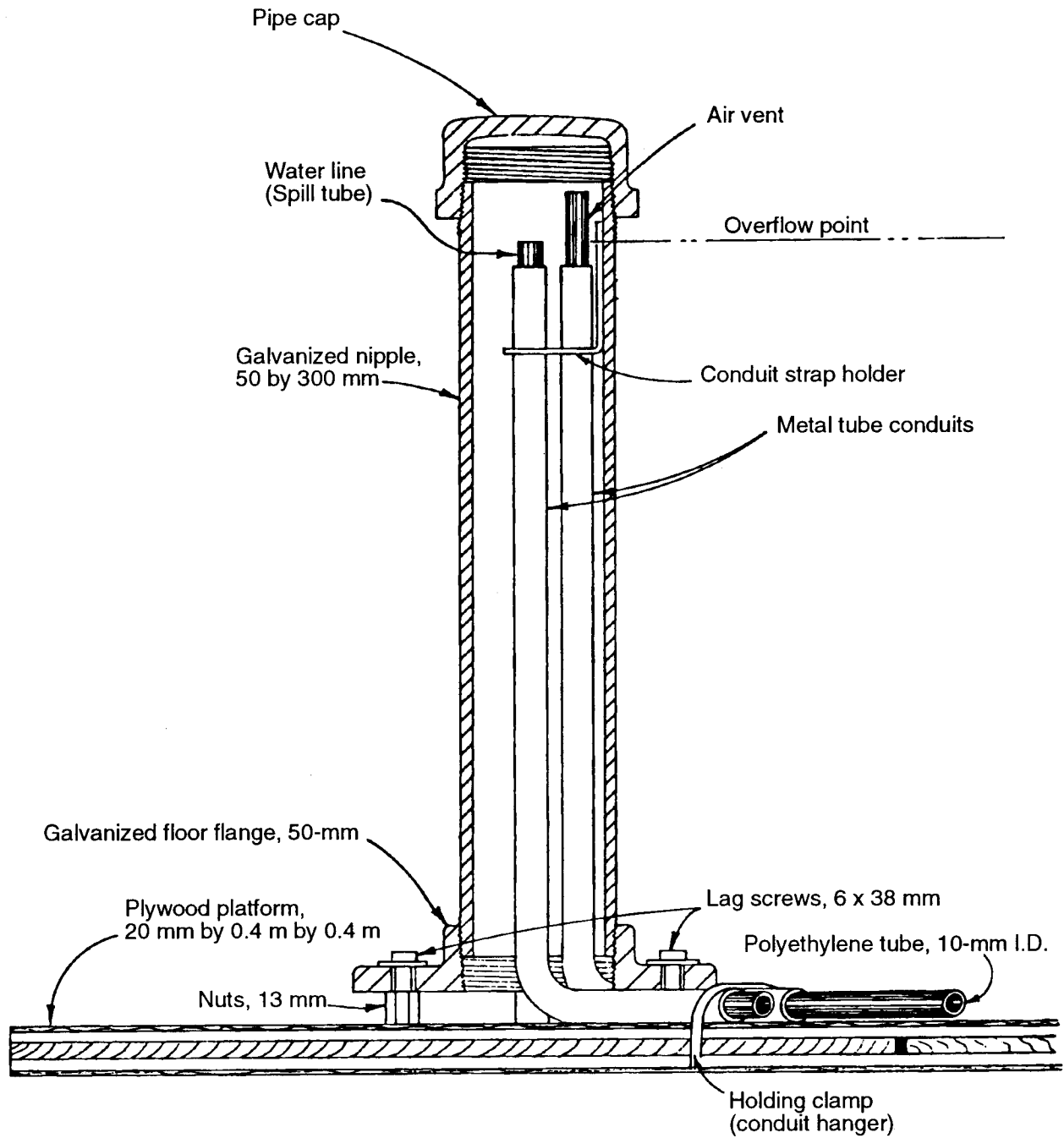


FIGURE 1 - VENTED STANDPIPE UNIT

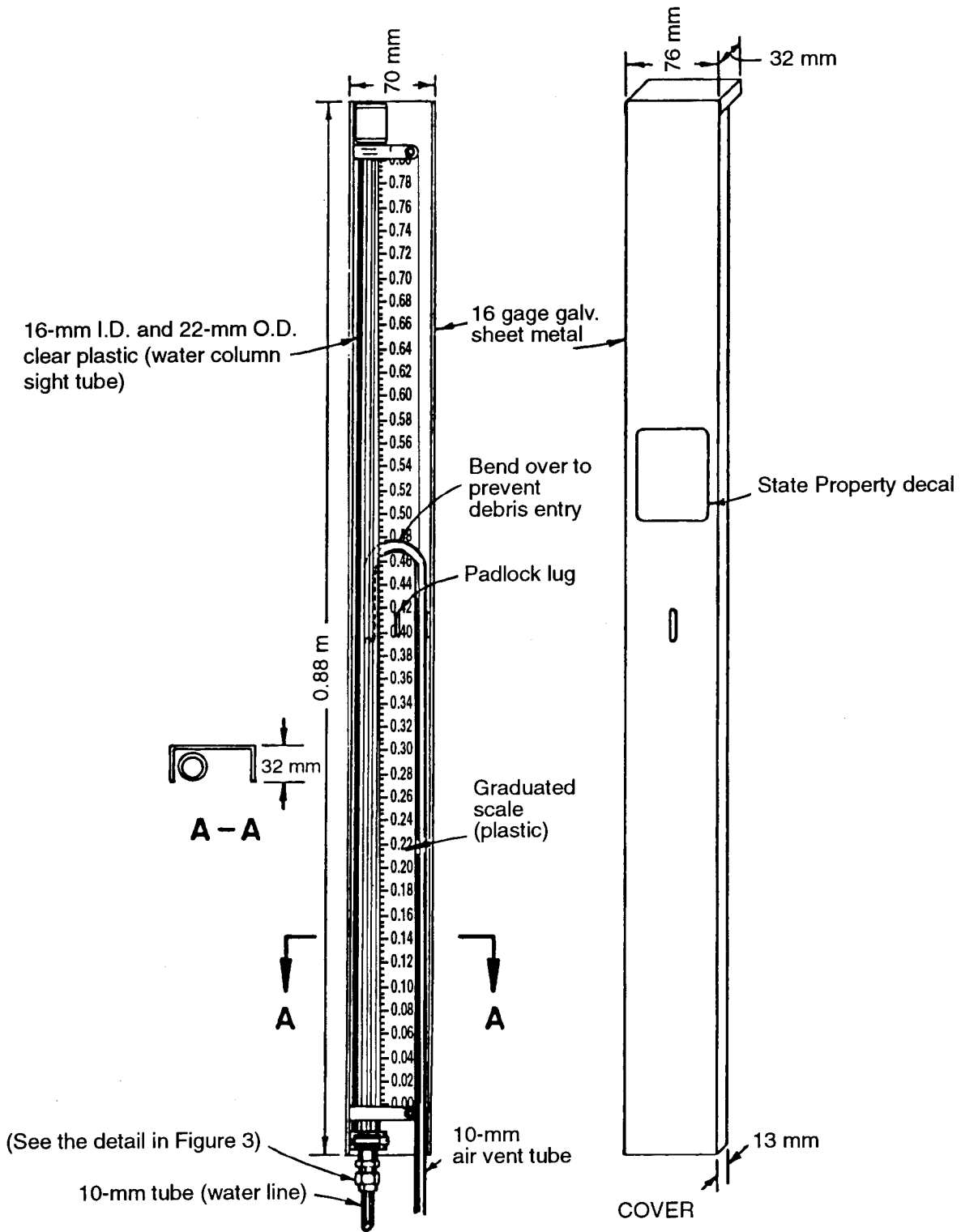


FIGURE 2 - INDICATOR UNIT

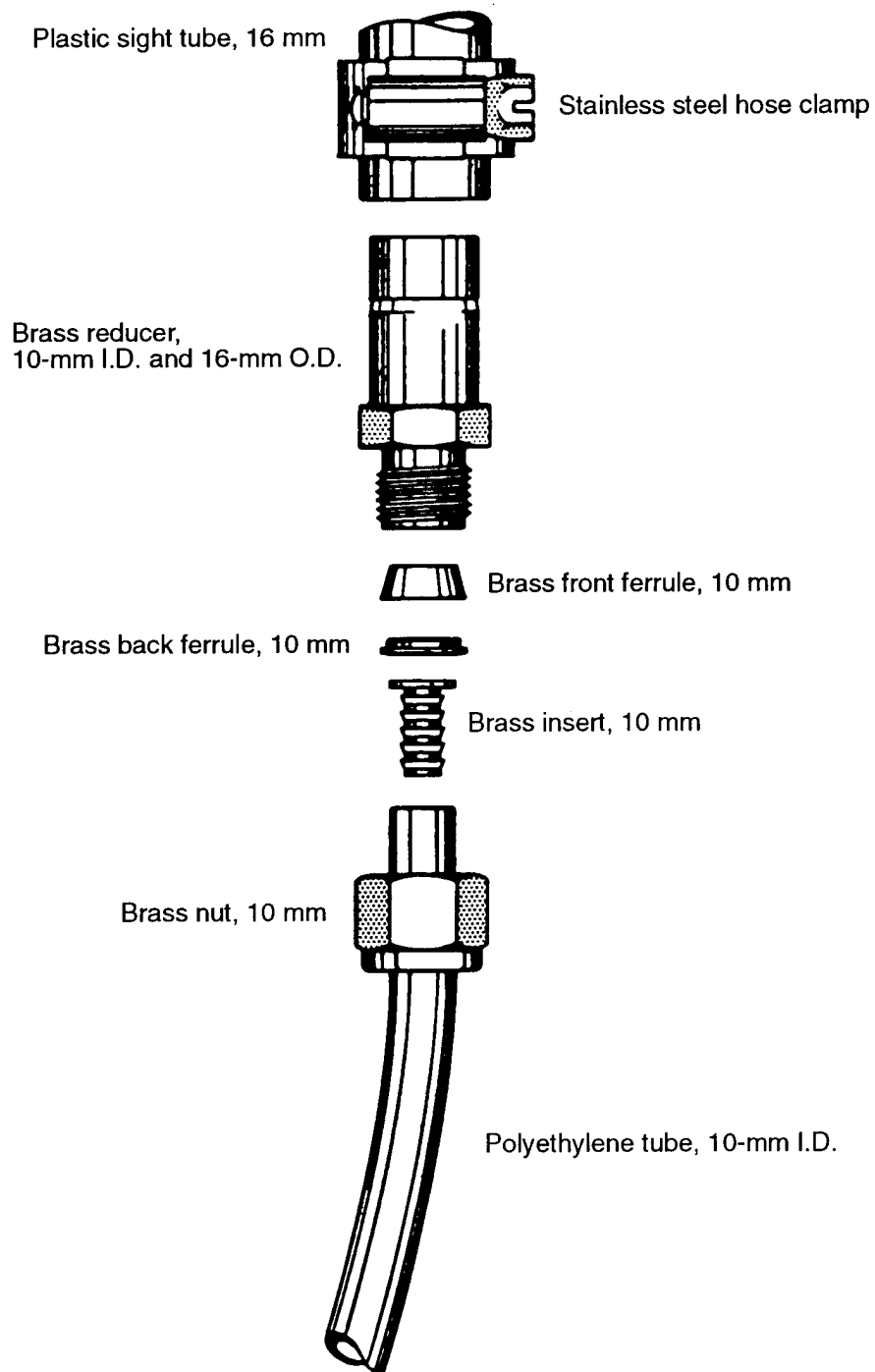
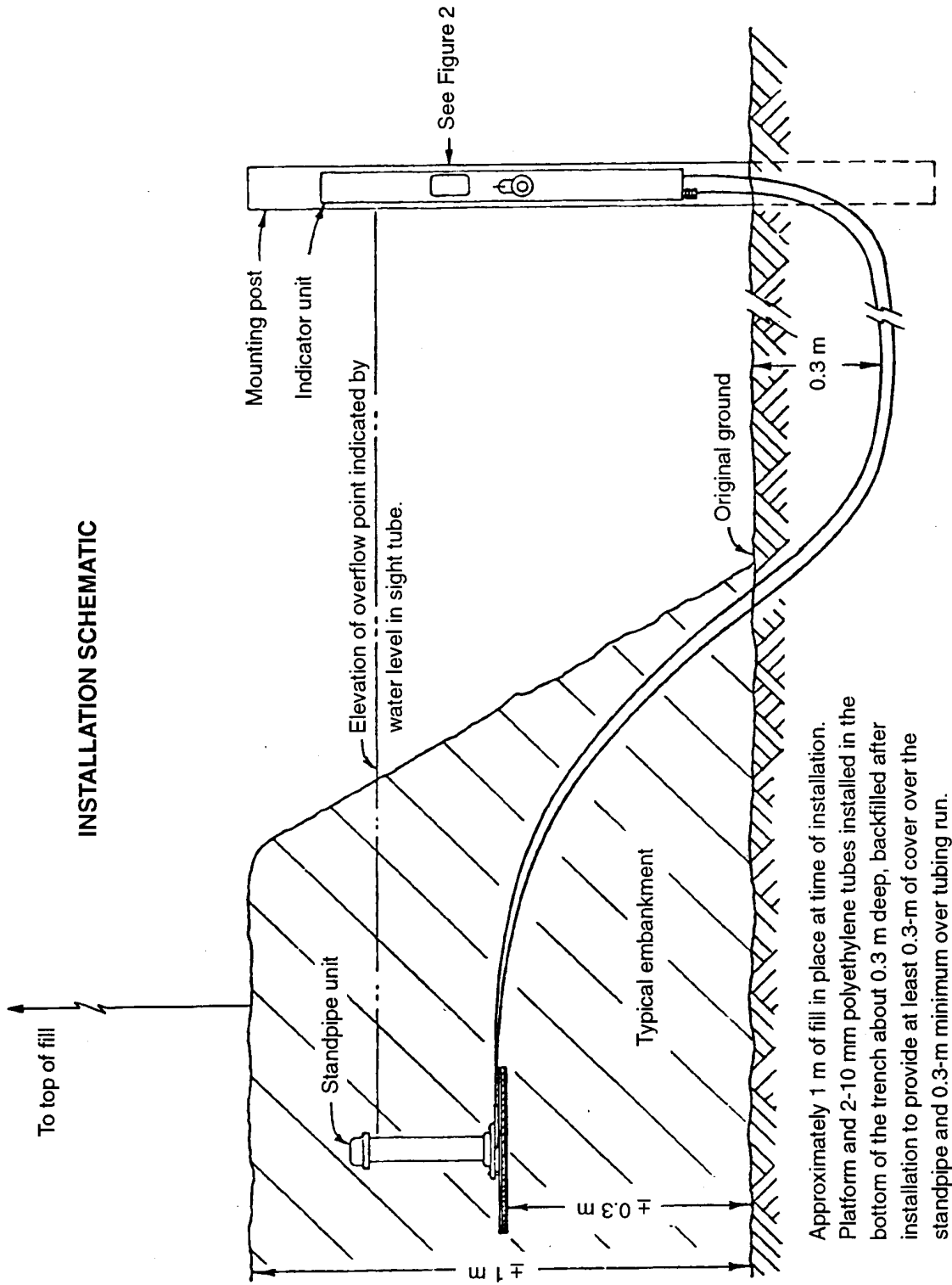


FIGURE 3 - DETAIL OF INDICATOR UNIT



Approximately 1 m of fill in place at time of installation. Platform and 2-10 mm polyethylene tubes installed in the bottom of the trench about 0.3 m deep, backfilled after installation to provide at least 0.3-m of cover over the standpipe and 0.3-m minimum over tubing run.

FIGURE 4 - SETTLEMENT INDICATOR DEVICE (VENTED TYPE)

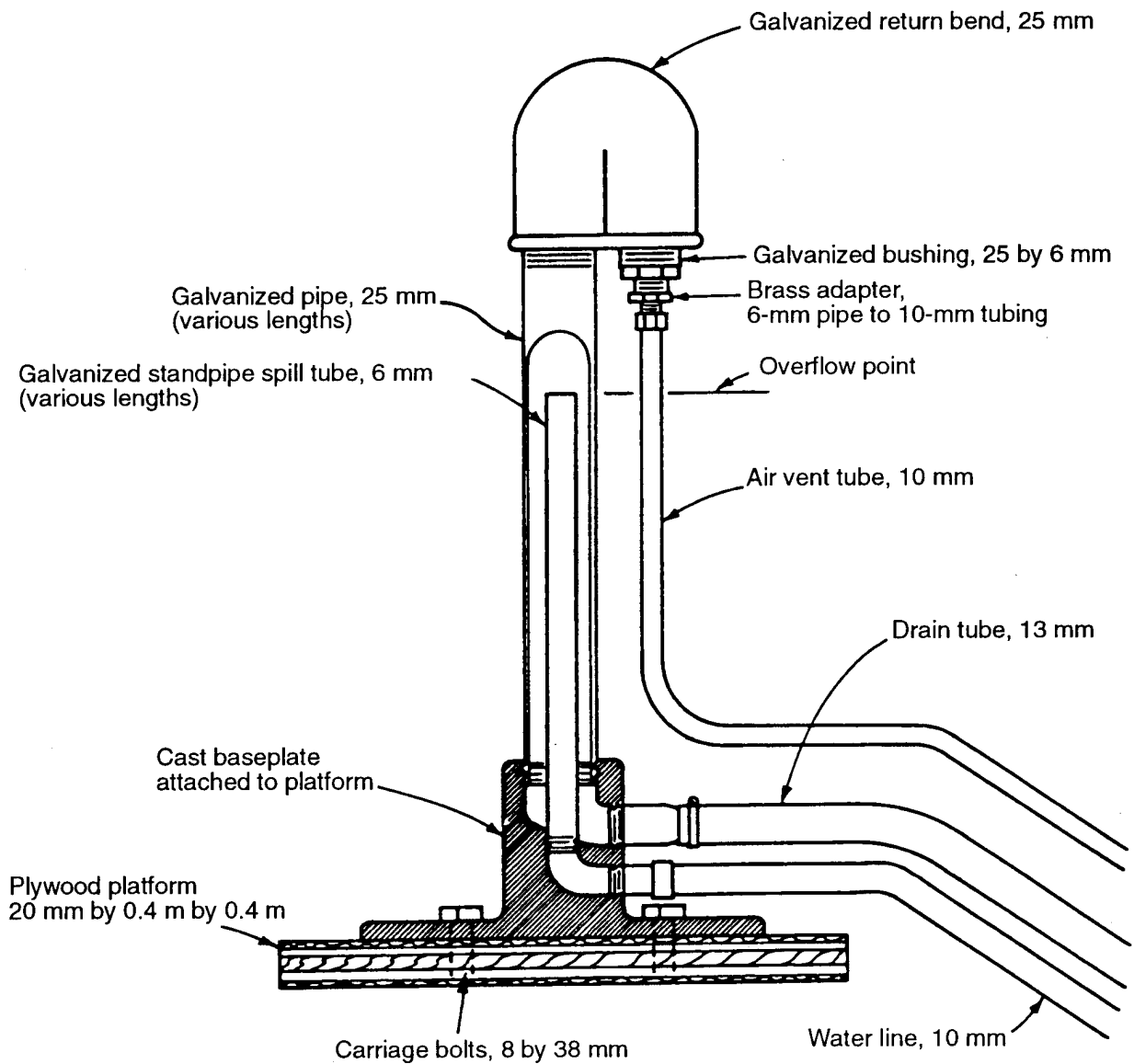


FIGURE 5 - SEALED STANDPIPE

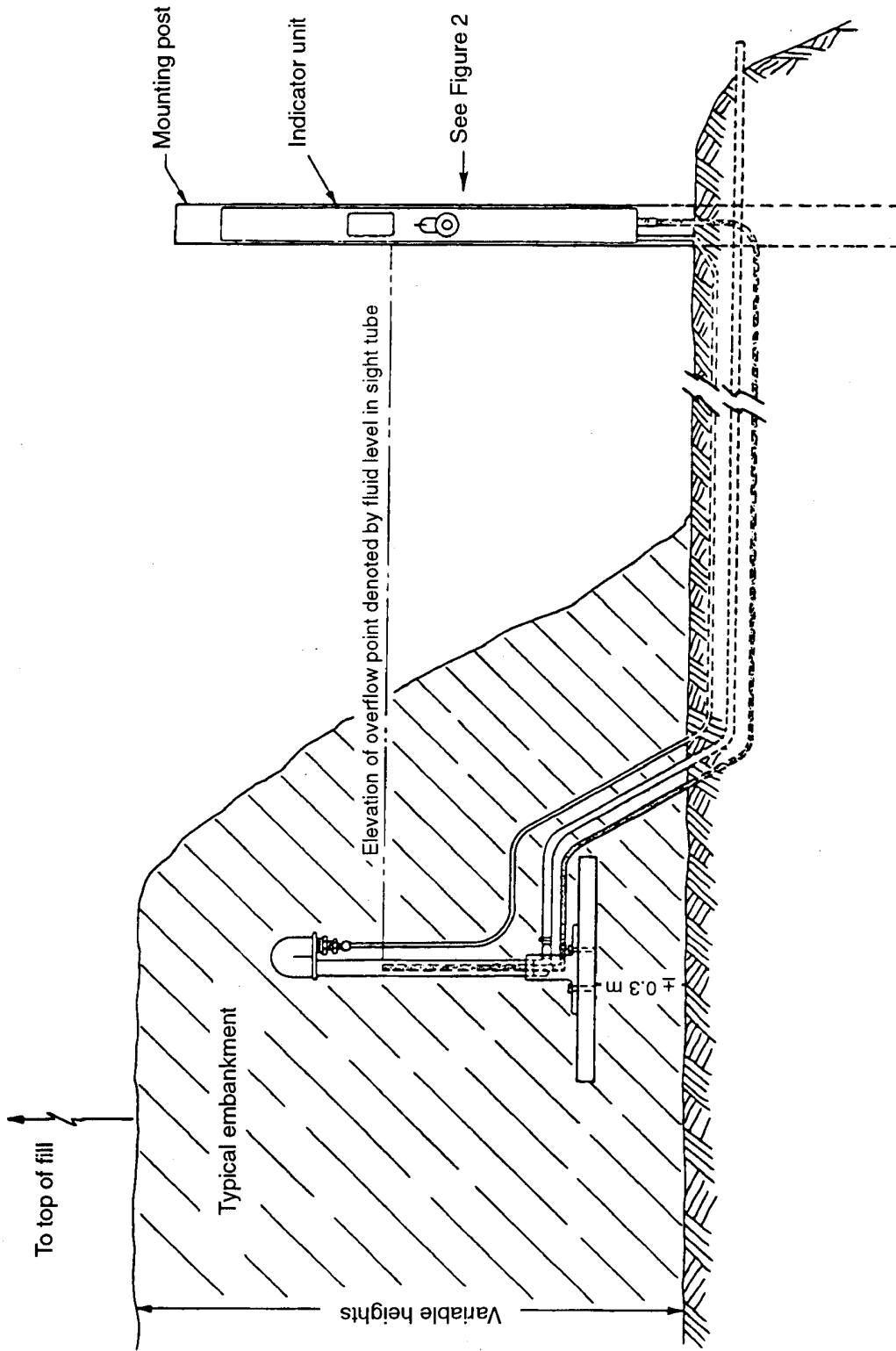


FIGURE 6 - SETTLEMENT INDICATOR DEVICE (SEALED FLUID LEVEL TYPE)

STATE OF CALIFORNIA

SETTLEMENT DATA

DEPARTMENT OF TRANSPORTATION

Job Stamp	Install Loc.		Comments:
	Br. No.	Unit No.	
	Sta. & Offset		
	Design Ht. (m) 6.4	Surcharge (m) 1.8	
	Waiting Period (days) 270		
	Controlled Loading 1 m per week		

Date (1)	Water Tube Reading (m) (2)	Reference Nail Elevation (m) (3)	RISER PIPE		Elevation Change (6)	Settlement (7)	FILL HEIGHT		Elapsed Time (days) (10)	Remarks (11)
			Top of Pipe Elevation (m) (4)	Length of Pipe (m) (5)			Surface Elevation (8)	Fill Above Original Ground (9)		
3/3/94	0.758	238.006			0.000	0.000	238.0	0.0	0	Platform set on O.G.
3/4/94	0.744				-0.014	0.014	238.9	0.9	1	
3/7/94	0.738				-0.006	0.020	239.8	1.8	4	
3/11/94	0.716				-0.022	0.042	240.7	2.7	8	
3/18/94	0.658				-0.058	0.100	241.7	3.7	15	
3/25/94	0.600				-0.058	0.158	242.6	4.6	22	
4/1/94	0.548	238.006			-0.052	0.210	243.5	5.5	29	
4/8/94	0.502				-0.046	0.256	244.4	6.4	36	
4/15/94	0.470				-0.032	0.288	245.3	7.3	43	
4/22/94	0.448				-0.022	0.310	246.2	8.2	50	Surcharge completed
4/26/94	0.430	238.000			-0.024	0.334	246.2	8.2	54	
5/12/94	0.408	238.000			-0.022	0.356	246.2	8.2	70	
5/25/94	0.396				-0.012	0.368	246.2	8.2	83	
6/8/94	0.384				-0.012	0.380	246.2	8.2	97	
7/6/94	0.388				0.004	0.376	246.2	8.2	125	
8/1/94	0.378	237.990			-0.020	0.396	246.2	8.2	151	
9/2/94	0.372				-0.006	0.402	246.2	8.2	183	
10/6/94	0.366	237.982			-0.014	0.416	246.2	8.2	217	
11/7/94	0.360				-0.006	0.422	246.2	8.2	249	
12/1/94	0.356	237.982			-0.004	0.426	246.2	8.2	273	Rain since last reading: 94mm
1/5/95	0.354	237.982			-0.002	0.428	246.2	8.2	308	Settlement terminated: 1/17/95
9/28/95	0.348	237.982			-0.006	0.434	244.4	6.4	574	Surcharge removed: 2/1/95

FIGURE 7 - SETTLEMENT DATA REPORT

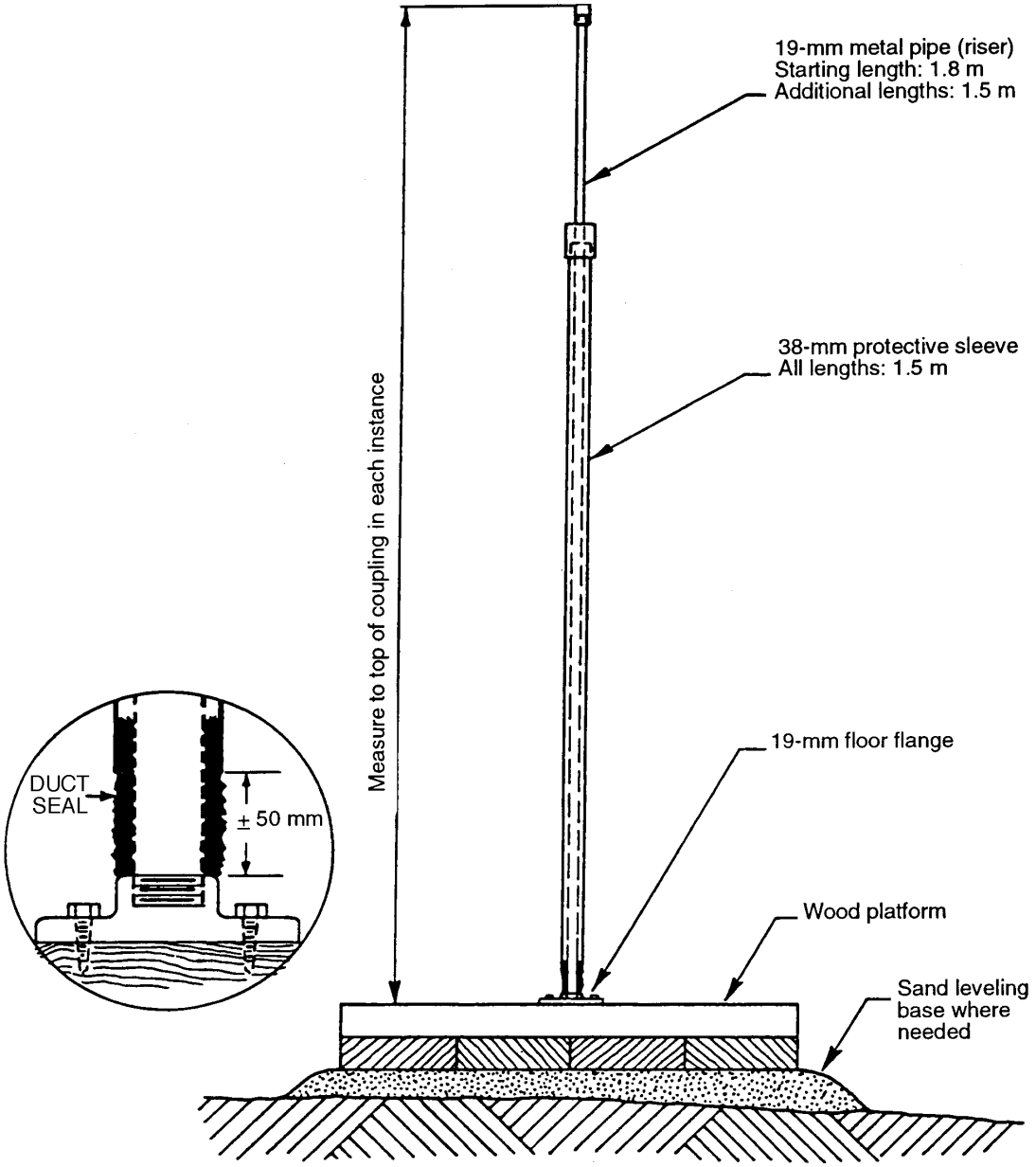
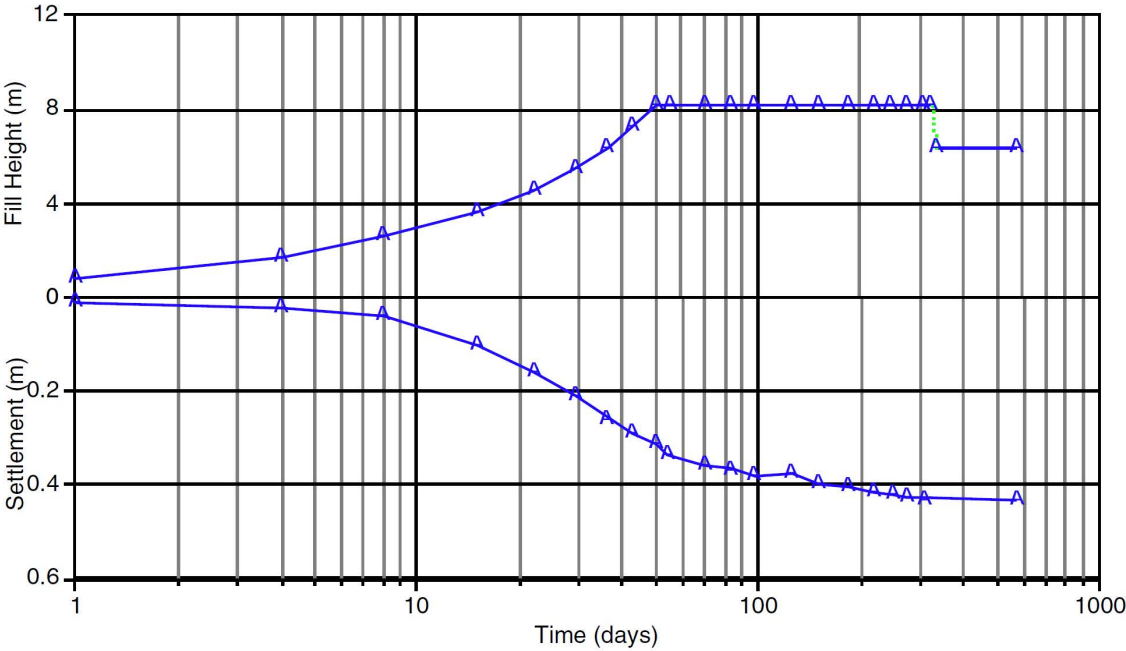


FIGURE 8 - PIPE RISER SETTLEMENT DEVICE

STATE OF CALIFORNIA	SETTLEMENT DATA	DEPARTMENT OF TRANSPORTATION	
Job Stamp	Install Loc.		Comments:
	Br. No.	Unit No.	
	Sta. & Offset		
	Design Ht. (m) 15.1	Surcharge (m) 0	
	Waiting Period (days)		
	Controlled Loading		

Date (1)	Water Tube Reading (m) (2)	Reference Nail Elevation (m) (3)	RISER PIPE		Elevation Change (6)	Settlement (7)	FILL HEIGHT		Elapsed Time (days) (10)	Remarks (11)
			Top of Pipe Elevation (m) (4)	Length of Pipe (m) (5)			Surface Elevation (8)	Fill Above Original Ground (9)		
2/25/95			4.700	3.264	1.436	0.000		1.5	0	
2/27/95			6.304	4.880	1.424	0.012		2.4	2	
3/3/95			7.912	6.492	1.420	0.016		3.0	6	
3/6/95			7.916	6.492	1.424	0.012		4.6	9	
3/10/95			7.906	6.492	1.414	0.022		6.1	13	
3/20/95			9.498	8.102	1.396	0.040		7.8	23	
3/27/95			12.650	11.338	1.312	0.124		10.2	30	
4/6/95			17.300	16.176	1.124	0.312		14.9	40	
4/15/95			17.246	16.176	1.070	0.366		15.1	49	Fill completed
4/29/95			17.210	16.176	1.034	0.402		"	63	
5/7/95			17.184	16.176	1.008	0.428		"	71	
5/13/95			17.178	16.176	1.002	0.434		"	77	
5/23/95			17.160	16.176	0.984	0.452		"	87	
5/29/95			17.164	16.176	0.988	0.448		"	93	
6/6/95			17.152	16.176	0.976	0.460		"	101	
6/12/95			17.178	16.176	1.002	0.434		"	107	
6/20/95			17.138	16.176	0.962	0.474		"	115	
6/26/95			17.124	16.176	0.948	0.488		"	121	
7/17/95			17.124	16.176	0.948	0.488		"	142	
7/24/95			17.118	16.176	0.942	0.494		"	149	
8/4/95			17.108	16.176	0.932	0.504		"	160	

FIGURE 9 - SETTLEMENT DATA REPORT



Settlement Data

San Ramon Road OC
 05-039733
 Station: 2.3 m Rt. 8+50 F-30 Line
 1 m Vertical Loading per Week

Abutment 1

Bridge No. 49-193
 05-SLO-101-47.2/52.5
 Installed: 3/3/94
 Waiting Period Not to Exceed 270 days

FIGURE 10 - SETTLEMENT DATA ANALYSIS